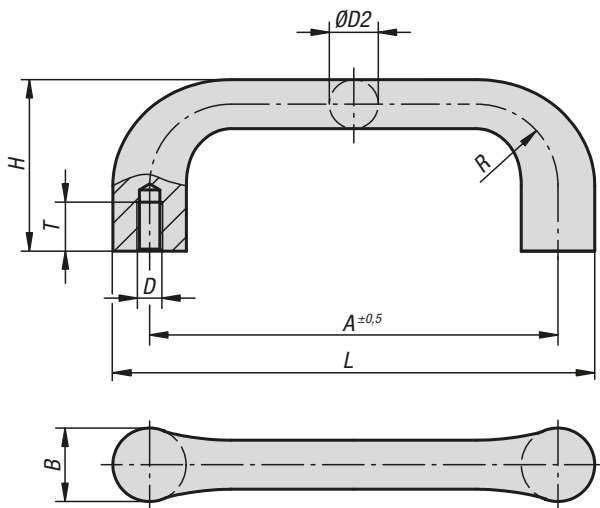


## Pull handles



**Material:**  
GJS 400

**Version:**  
Vibratory ground or black powder-coated.  
End faces machined.

**Sample order:**  
K0186.12510

**Assembly:**  
From the rear.

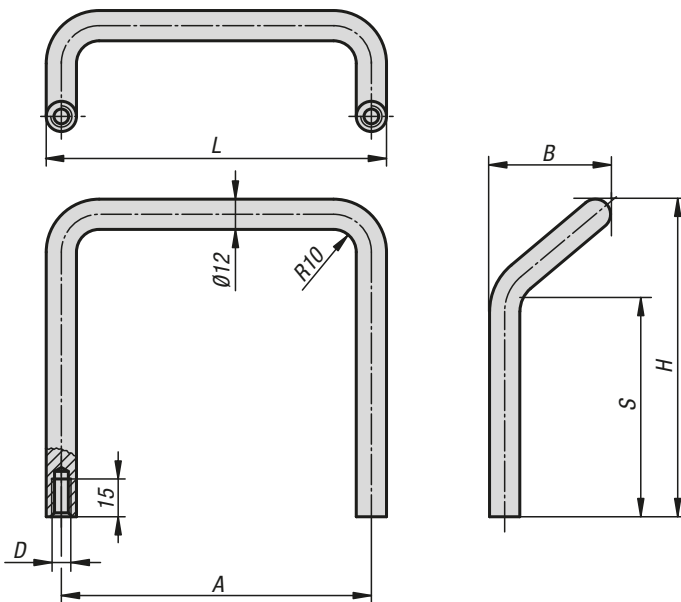
### KIPP Pull handles

Order No. bright	Order No. black	A	B	D	D2	H	L	R	T	Load capacity N
K0186.10006	K0186.100061	100	18	M6	12	42	118	20	12	1000
K0186.11208	K0186.112081	112	20	M8	14	47	132	22	15	1000
K0186.12510	K0186.125101	125	22	M10	16	53	147	24	18	1000
K0186.14012	K0186.140121	140	25	M12	18	59	165	26	20	1000

# K0207

## Pull handles

angled



**Material:**  
Round steel

**Version:**  
Finely ground and high-gloss chrome-plated.

**Sample order:**  
K0207.06008

**Assembly:**  
From the rear.

### KIPP Pull handles angled

Order No.	A	B	D	H	L	S	Load capacity N
K0207.06008	120	47	M8	66	132	27	1000
K0207.12008	120	47	M8	126	132	87	1000