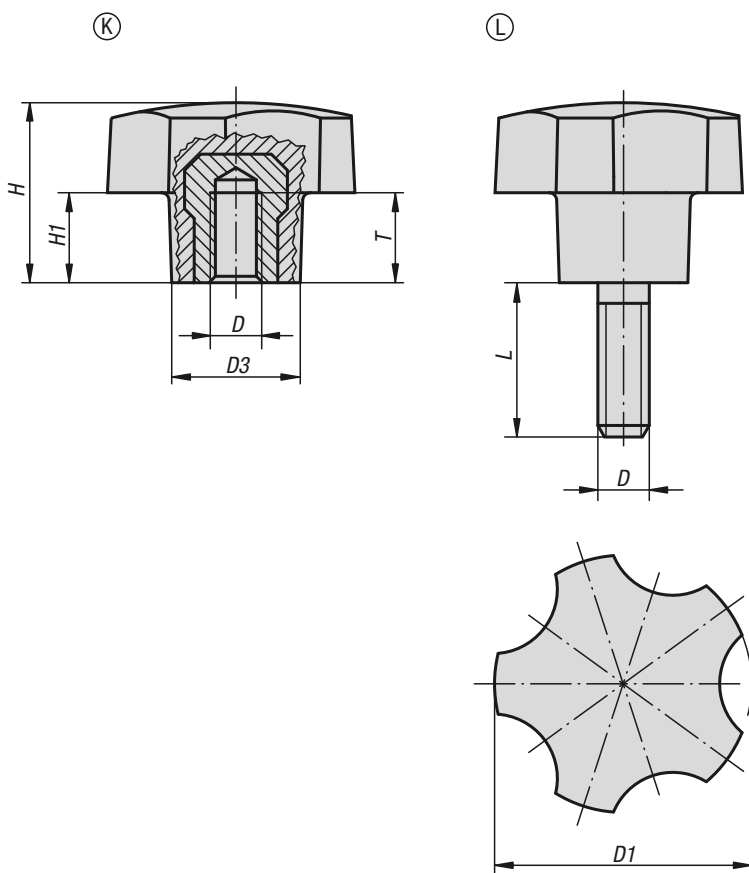


## Five lobe grips



**Material:**  
Thermoset PF 31, black.  
Steel bush and stud, electro zinc-plated.

**Version:**  
High-gloss polished.

**Sample order:**  
K0185.3206X12 (include length L)

**Note:**  
The versions K0185.3205 and K0185.3206 have a brass bush.

**On request:**  
Other screw sizes, screw lengths and colours.

### KIPP Five lobe grips with internal thread

Order No.	Form	D	D1	D3	H	H1	T
K0185.3205	K	M5	32	16	22,4	11,2	10
K0185.3206	K	M6	32	16	22,4	11,2	9
K0185.4006	K	M6	40	20	28	14	12
K0185.4008	K	M8	40	20	28	14	14
K0185.4010	K	M10	40	20	28	14	14
K0185.5008	K	M8	50	25	35	17,5	14
K0185.5010	K	M10	50	25	35	17,5	14

### KIPP Five lobe grips with external thread

Order No.	Form	D	D1	D3	H	H1	L
K0185.3206X	L	M6	32	16	22,4	11,2	12/18
K0185.3208X	L	M8	32	16	22,4	11,2	16/24
K0185.4006X	L	M6	40	20	28	14	18
K0185.4008X	L	M8	40	20	28	14	16/20/24
K0185.4010X	L	M10	40	20	28	14	30
K0185.5008X	L	M8	50	25	35	17,5	16/24
K0185.5010X	L	M10	50	25	35	17,5	20/30