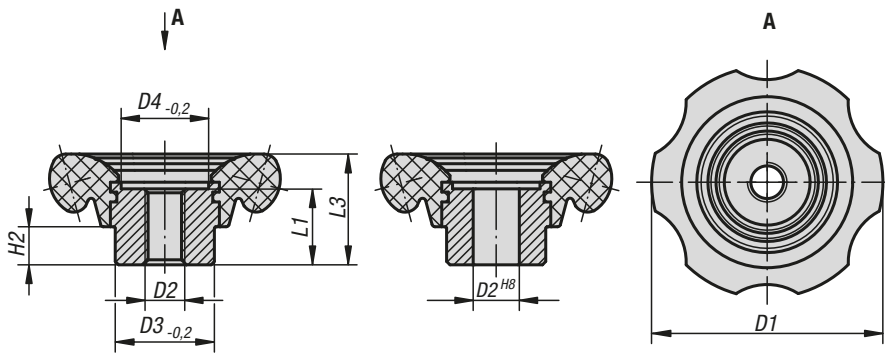


Handwheels



Material:
Handwheel thermoset PF 31.
Bush steel, black oxidised.

Version:
High-gloss polished, black.

Sample order:
K0184.70112

KIPP Handwheels

| Order No. | Version 1 | D1 | D2 | D3 | D4 | H2 | L1 | L3 |
|-------------|-----------------|----|------|----|------|------|----|------|
| K0184.70110 | internal thread | 70 | M10 | 30 | 26,5 | 11,5 | 23 | 33,5 |
| K0184.70112 | internal thread | 70 | M12 | 30 | 26,5 | 11,5 | 23 | 33,5 |
| K0184.83112 | internal thread | 83 | M12 | 35 | 31,5 | 14 | 28 | 40 |
| K0184.83116 | internal thread | 83 | M16 | 35 | 31,5 | 14 | 28 | 40 |
| K0184.70212 | reamed hole | 70 | 12H8 | 30 | 26,5 | 11,5 | 23 | 33,5 |
| K0184.70214 | reamed hole | 70 | 14H8 | 30 | 26,5 | 11,5 | 23 | 33,5 |
| K0184.83214 | reamed hole | 83 | 14H8 | 35 | 31,5 | 14 | 28 | 40 |
| K0184.83216 | reamed hole | 83 | 16H8 | 35 | 31,5 | 14 | 28 | 40 |