

## Triangular grips

with high collar



**Material:**

Black thermoset PF 31.

Bush and screw electro zinc-plated steel or bright stainless steel.

**Version:**

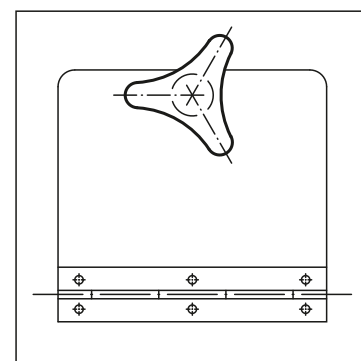
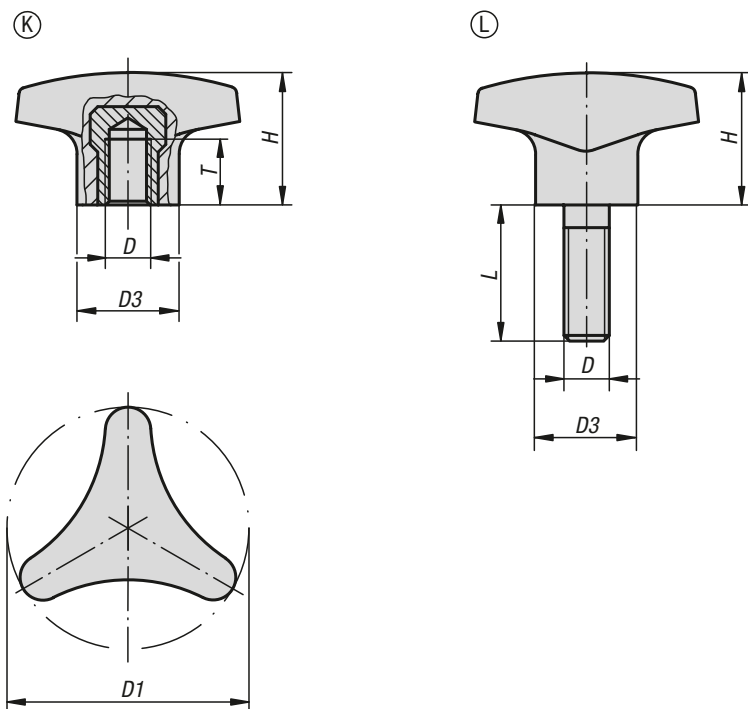
High-gloss polished.

**Sample order:**

K0183.14008X20

**On request:**

Other screw sizes, screw lengths and colours.



### KIPP Triangular grips with high collar, internal thread

Order No.	Form	Component material	D	D1	D3	H	T
K0183.14006	K	steel	M6	40	14	22	12
K0183.15008	K	steel	M8	50	18	28	14
K0183.16210	K	steel	M10	62	22	35	14
K0183.24006	K	stainless steel	M6	40	12	22	9
K0183.25008	K	stainless steel	M8	50	15	28	13
K0183.26210	K	stainless steel	M10	62	18	35	13

### KIPP Triangular grips with high collar, external thread

Order No.	Form	Component material	D	D1	D3	H	L
K0183.14006X15	L	steel	M6	40	14	22	15
K0183.14008X20	L	steel	M8	40	14	22	20
K0183.15008X20	L	steel	M8	50	18	28	20
K0183.15010X25	L	steel	M10	50	22	28	25
K0183.16210X25	L	steel	M10	62	22	35	25
K0183.24006X20	L	stainless steel	M6	40	12	22	20
K0183.24008X20	L	stainless steel	M8	40	12	22	20
K0183.25008X20	L	stainless steel	M8	50	15	28	20
K0183.25010X30	L	stainless steel	M10	50	15	28	30
K0183.26210X30	L	stainless steel	M10	62	18	35	30