

T-grips

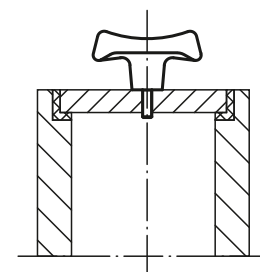
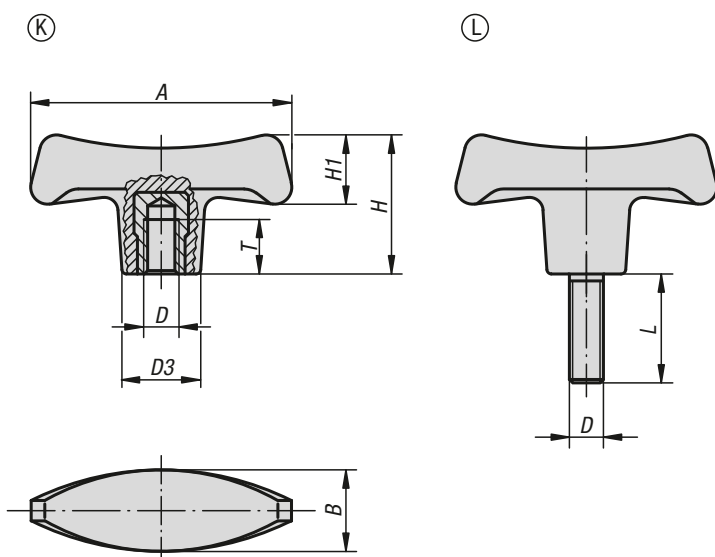


Material:
Thermoset PF 31, black.
Steel bush and stud, electro zinc-plated.

Version:
High-gloss polished.

Sample order:
K0181.27006X18 (include length L)

On request:
Other screw sizes, screw lengths and colours.



KIPP T-grips, with internal thread

Order No.	Form	A	B	D	D3	H	H1	T
K0181.17006	K	70	22	M6	19,6	38,8	20,2	12
K0181.17008	K	70	22	M8	19,6	38,8	20,2	14
K0181.17010	K	70	22	M10	19,6	38,8	20,2	14
K0181.18008	K	80	25	M8	22,3	44	23	14
K0181.18010	K	80	25	M10	22,3	44	23	22
K0181.19010	K	90	28	M10	25	49,6	26	22
K0181.19012	K	90	28	M12	25	49,6	26	21

KIPP T-grips, with external thread

Order No.	Form	A	B	D	D3	H	H1	L
K0181.27006X	L	70	22	M6	19,6	38,8	20,2	18
K0181.27008X	L	70	22	M8	19,6	38,8	20,2	24
K0181.28010X	L	80	25	M10	22,3	44	23	20/30
K0181.29010X	L	90	28	M10	25	49,6	26	30
K0181.29012X	L	90	28	M12	25	49,6	26	24