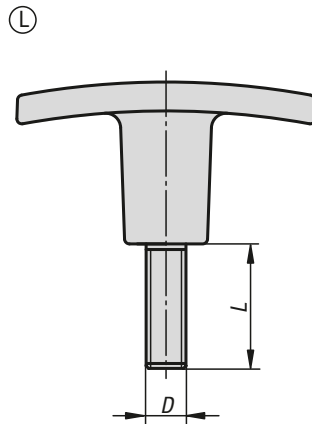
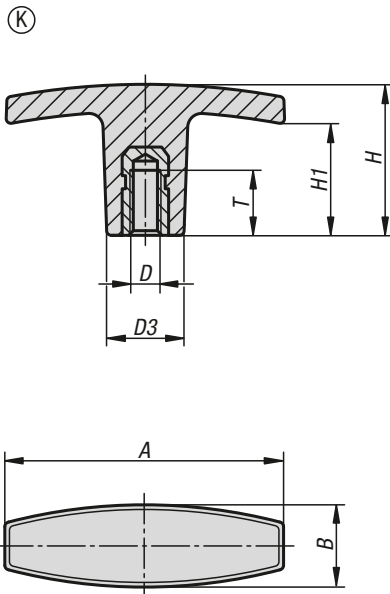


T-grips

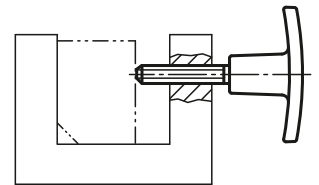


Material:
Fibreglass reinforced thermoplastic.
Tapped bush brass.
Screw steel.

Version:
Grip, black.
Screw electro zinc-plated.

Sample order:
K0180.25005X15 (include length L)

On request:
Grip colour red, yellow, green, blue, white or grey (min. quantity 1000).



KIPP T-grips, with internal thread

Order No.	Form	A	B	D	D3	H	H1	T
K0180.14005	K	40	13	M5	13	30,5	20	10
K0180.15005	K	50	15	M5	14	24	16	10
K0180.16006	K	60	17	M6	16	31,5	23	12
K0180.17108	K	71	19,5	M8	20	36	19	20
K0180.17110	K	71	19,5	M10	20	36	19	20
K0180.18010	K	80	26	M10	26	39,5	26	25
K0180.18012	K	80	26	M12	26	39,5	26	25

KIPP T-grips, with external thread

Order No.	Form	A	B	D	D3	H	H1	L
K0180.24005X	L	40	13	M5	13	30,5	20	15
K0180.25005X	L	50	15	M5	14	24	16	15/20
K0180.26006X	L	60	17	M6	16	31,5	23	20/25
K0180.27108X	L	71	19,5	M8	20	36	19	20/30
K0180.27110X	L	71	19,5	M10	20	36	19	20/30
K0180.28010X	L	80	26	M10	26	39,5	26	30
K0180.28012X	L	80	26	M12	26	39,5	26	40