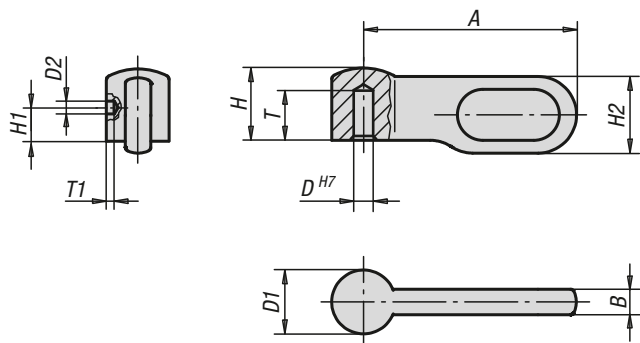


Lock grips



Material:
Stainless steel 1.4308 or steel.

Version:
Stainless steel bright.
Steel black oxidised.

Sample order:
K0178.1040

Note:
Lock grips can be used as required. The styled design with recessed grip gives fingers a good purchase and is well suited to modern requirements. High clamping forces can be easily attained. Use the pilot hole in the side to secure the grip by pinning or screw.

KIPP Lock grip

Order No.	Main material	Size	A	B	D	D1	D2	H	H1	H2	T	T1
K0178.1040	stainless steel	1	25	3	4	7,5	1,5	8,5	3	9	5,5	0,5
K0178.2050	stainless steel	2	30	3,6	5	9	2	10,2	4	10,8	6,5	1
K0178.3060	stainless steel	3	40	4,8	6	12	2	13,6	5	14,4	8,7	1
K0178.4080	stainless steel	4	50	6	8	15	3	17	6	18	10,2	1
K0178.1041	steel	1	25	3	4	7,5	1,5	8,5	3	9	5,5	0,5
K0178.2051	steel	2	30	3,6	5	9	2	10,2	4	10,8	6,5	1
K0178.3061	steel	3	40	4,8	6	12	2	13,6	5	14,4	8,7	1
K0178.4081	steel	4	50	6	8	15	3	17	6	18	10,2	1