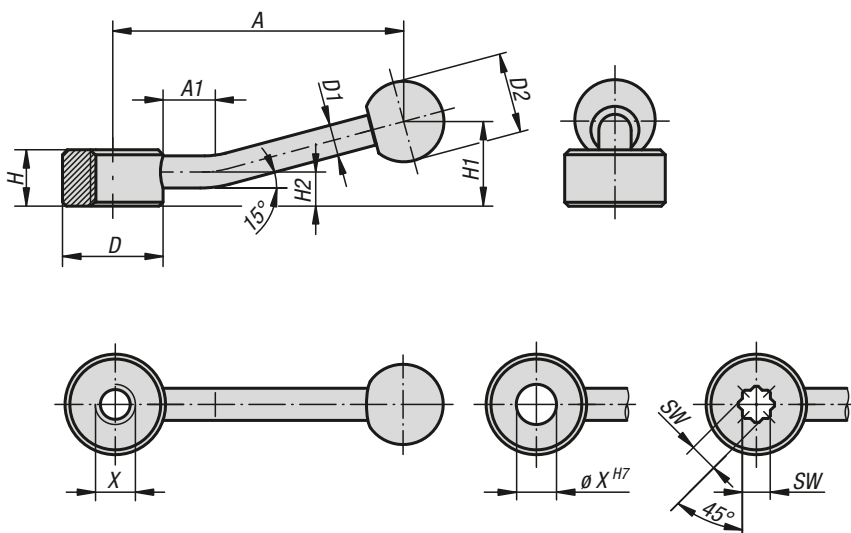


## Tension levers flat



**Material:**

Steel parts grade 5.8.  
Ball knob black thermoset PF 31

**Version:**

Black oxidised.

**Sample order:**

K0177.206

**Note:**

Flat tension levers can be used for simple clamping or control operations. Where applicable, there must be enough space available so that the grip can be rotated 360°.

The version with star socket is designed to allow a 45° change of position.

**On request:**

Other internal threads, reamed holes and star sockets.  
Dimension "A" available in other lengths at extra charge.

### KIPP Tension levers flat with internal thread

Order No.	Kind of fastening	X	A=Handle length	A1	D	D1	D2	H	H1	H2
K0177.206	internal thread	M6	75	15	25	8	20	14	22	8,5
K0177.208	internal thread	M8	75	15	25	8	20	14	22	8,5
K0177.210	internal thread	M10	75	15	25	8	20	14	22	8,5
K0177.212	internal thread	M12	100	15	33	10	25	17	27	10
K0177.216	internal thread	M16	100	15	33	10	25	17	27	10
K0177.220	internal thread	M20	128	15	41	12	30	20	36	11,5
K0177.224	internal thread	M24	128	15	41	12	30	20	36	11,5

### KIPP Tension levers flat with reamed hole

Order No.	Kind of fastening	X	A=Handle length	A1	D	D1	D2	H	H1	H2
K0177.106	reamed hole	6	75	15	25	8	20	14	22	8,5
K0177.108	reamed hole	8	75	15	25	8	20	14	22	8,5
K0177.110	reamed hole	10	75	15	25	8	20	14	22	8,5
K0177.112	reamed hole	12	100	15	33	10	25	17	27	10
K0177.116	reamed hole	16	100	15	33	10	25	17	27	10
K0177.120	reamed hole	20	128	15	41	12	30	20	36	11,5
K0177.124	reamed hole	24	128	15	41	12	30	20	36	11,5

### KIPP Tension levers flat with star socket

Order No.	Kind of fastening	SW	A=Handle length	A1	D	D1	D2	H	H1	H2
K0177.305	star socket	5,5	75	15	25	8	20	14	22	8,5
K0177.307	star socket	7	75	15	25	8	20	14	22	8,5
K0177.309	star socket	9	100	15	33	10	25	17	27	10
K0177.311	star socket	11	100	15	33	10	25	17	27	10
K0177.314	star socket	14	128	15	41	12	30	20	36	11,5
K0177.319	star socket	19	128	15	41	12	30	20	36	11,5