

Tension levers



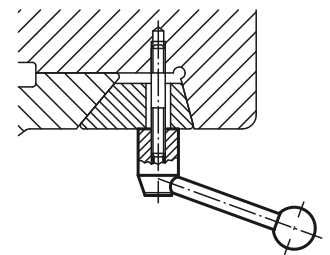
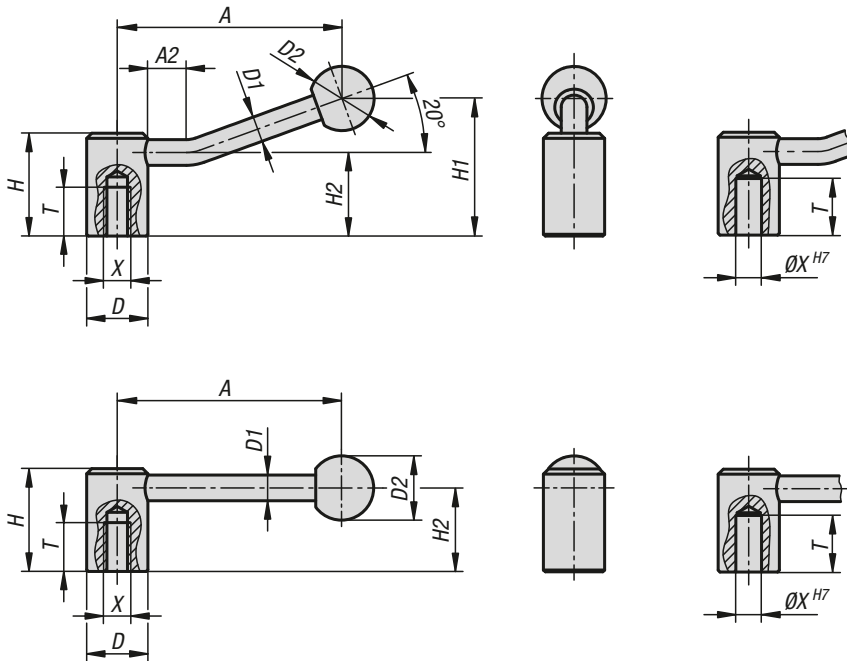
Material:
Steel parts grade 5.8.
Ball knob black plastic.

Version:
Black oxidised.

Sample order:
K0176.208

Note:
Tension levers can be used for simple clamping or control operations.
Where applicable, there must be enough space available so that the grip can be rotated 360°.

On request:
Other internal threads, reamed holes and special versions.
Dimension "A" available in other lengths at extra charge.



KIPP Tension levers

Order No. 0°	Order No. 20°	Kind of fastening	X	T	A=Handle length	A2	D	D1	D2	H	H1	H2
K0176.2082	K0176.208	internal thread	M8	18	88,1/84,5	-15	24	10	25	40	-/52,5	32,5
K0176.2102	K0176.210	internal thread	M10	18	88,1/84,5	-15	24	10	25	40	-/52,5	32,5
K0176.21012	K0176.2101	internal thread	M10	20	104/100	-15	28	12	32	46	-/61	36,5
K0176.2122	K0176.212	internal thread	M12	20	104/100	-15	28	12	32	46	-/61	36,5
K0176.2162	K0176.216	internal thread	M16	23	126,5/121	-15	33	13	32	52	-/72	41
K0176.2202	K0176.220	internal thread	M20	26	128,5/123	-15	41	13	32	61	-/80	49
K0176.1102	K0176.110	reamed hole	10	22	88,1/84,5	-15	24	10	25	40	-/52,5	32,5
K0176.1122	K0176.112	reamed hole	12	25	104/100	-15	28	12	32	46	-/61	36,5
K0176.1142	K0176.114	reamed hole	14	25	104/100	-15	28	12	32	46	-/61	36,5
K0176.1162	K0176.116	reamed hole	16	28	126,5/121	-15	33	13	32	52	-/72	41
K0176.1202	K0176.120	reamed hole	20	32	128,5/123	-15	41	13	32	61	-/80	49