

Levers

DIN 99



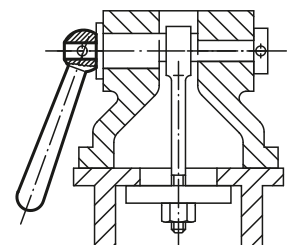
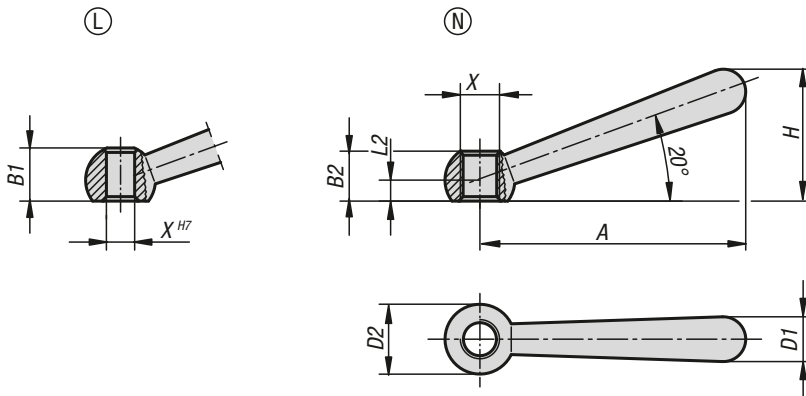
Material:
Steel.

Version:
Polished.

Sample order:
K0174.212

Note:
To fix the lever to another element, gluing is often more cost-effective than pinning.

Drawing reference:
Form L: with hole
Form N: with internal thread



KIPP Levers DIN 99

Order No. Form L	Order No. Form N	X	A=Handle length	B1	B2	D1	D2 ball	H	L2
K0174.106	K0174.206	6/M6	48	9,5/-	-/9,5	8	12	24	4
K0174.108	K0174.208	8/M8	60	12/-	-/12	10	16	30,5	5
K0174.110	K0174.210	10/M10	76	14,5/-	-/14,5	13	20	38	6
K0174.112	K0174.212	12/M12	95	18,5/-	-/18,5	16	25	47	7,5
K0174.116	K0174.216	16/M16	119	24/-	-/24	20	32	59,5	10
K0174.120	K0174.220	20/M20	152	30/-	-/30	25	40	75,5	12,5