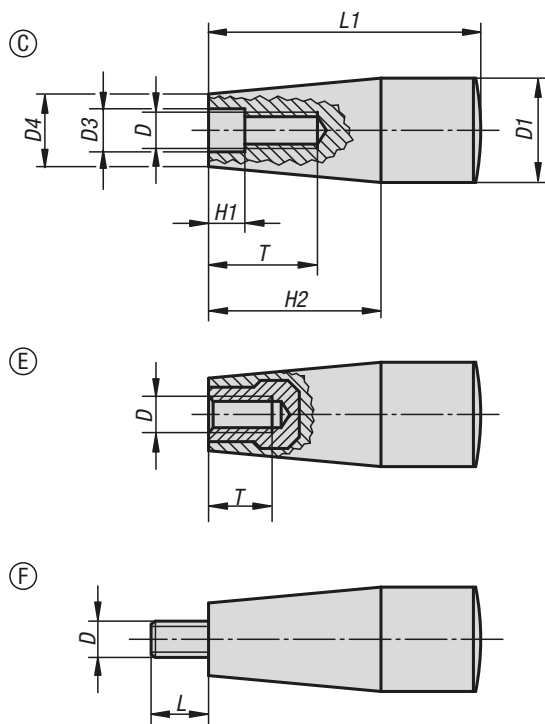


Taper grips



Material:

Thermoset PF 31, black.

Steel bush and stud, electro zinc-plated.

Version:

High-gloss polished.

Sample order:

K0172.106

Note:

The versions K0172.205 and K0172.206 have a brass bush.

The versions K0172.208 and K0172.2081 have a copper-plated steel bush.

On request:

Other colours.

Drawing reference:

Form C: moulded female thread

Form E: tapped bush

Form F: male thread

KIPP Taper grips with internal thread

Order No.	Form	D	D1	D3	D4	H1	H2	L1	T
K0172.106	C	M6	17	6,2	15	2	26	45	14
K0172.108	C	M8	17	8,2	13	2	26	45	16
K0172.1081	C	M8	23	8,5	18	2	38	61	24
K0172.110	C	M10	29	10,5	21	3,5	42	71	28
K0172.205	E	M5	17	-	15	-	26	45	10
K0172.206	E	M6	17	-	15	-	26	45	9
K0172.208	E	M8	23	-	18	-	38	61	14
K0172.2081	E	M8	28	-	21	-	42	71	14

KIPP Taper grips with external thread

Order No.	Form	D	D1	D4	H2	L	L1
K0172.306	F	M6	17	15	26	18	45
K0172.308	F	M8	23	18	38	12	61
K0172.310	F	M10	29	21	42	20	71