

Handwheels disc

without grip



Material:

Black thermoset PF 31.

Hub nickel-plated steel or bright 1.4305 stainless steel.

Version:

High-gloss polished.

Sample order:

K0165.0100X06

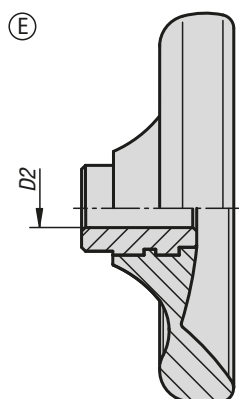
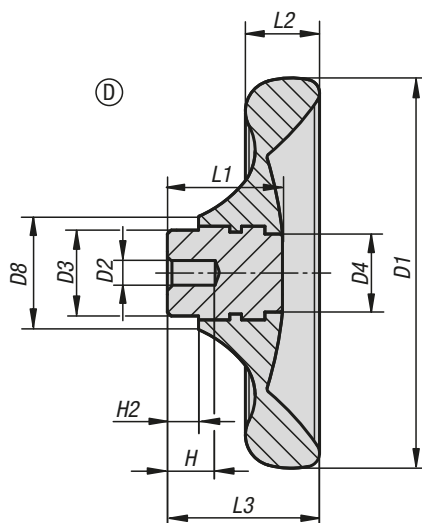
On request:

Other reamed hole sizes.

Drawing reference:

Form D: pilot hole

Form E: reamed hole



KIPP Handwheels disc, without grip, bush steel

Order No. Form D	Order No. Form E	D1	D2	D3	D4	D8	H	H2	L1	L2	L3
K0165.0100X06	K0165.1100X10	100	6/10H8	22	20	29	12/-	8	29,5	19	39
K0165.0125X08	K0165.1125X12	125	8/12H8	26	21	34	15/-	8	34	24	46
K0165.0140X08	K0165.1140X14	140	8/14H8	30	25	39	16/-	8	38,5	27	52
K0165.0160X10	K0165.1160X16	160	10/16H8	33	30	43	20/-	8	41,3	30,1	57
-	K0165.1160X18	160	18H8	33	30	43	-	8	41,3	30,1	57

KIPP Handwheels disc, without grip, bush stainless steel

Order No. Form D	Order No. Form E	D1	D2	D3	D4	D8	H	H2	L1	L2	L3
K0165.2100X06	K0165.3100X10	100	6/10H7	22	20	29	12/-	8	29,5	19	39
K0165.2125X08	K0165.3125X12	125	8/12H7	26	21	34	15/-	8	34	24	46
K0165.2140X08	K0165.3140X14	140	8/14H7	30	25	39	16/-	8	38,5	27	52
K0165.2160X10	K0165.3160X16	160	10/16H7	33	30	43	20/-	8	41,3	30,1	57
-	K0165.3160X18	160	18H7	33	30	43	-	8	41,3	30,1	57