

## Handwheels disc

with revolving grip



**Material:**

Thermoset PF 31, black.

Hubs and steel parts of grip nickel-plated steel or bright 1.4305 stainless steel.

**Version:**

High-gloss polished.

**Sample order:**

K0164.0125X08

**Note:**

The handwheel is supplied with the grip loose.

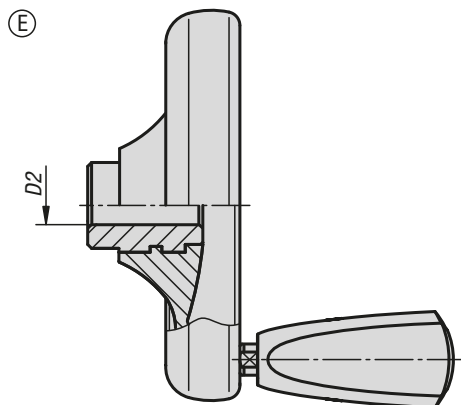
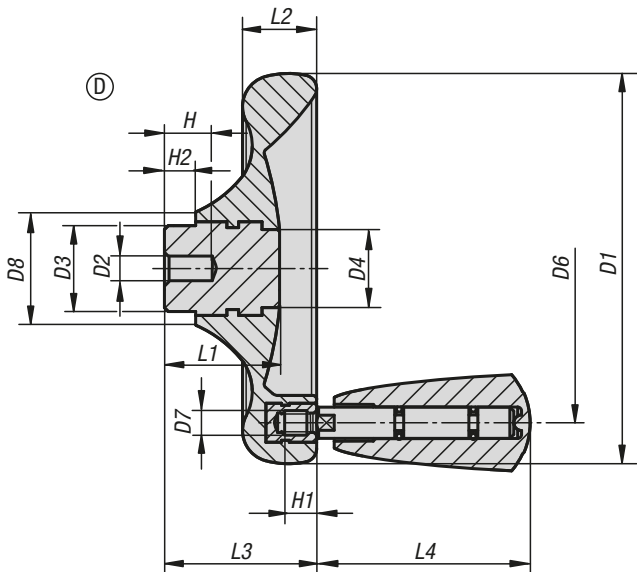
**On request:**

Other reamed hole sizes.

**Drawing reference:**

Form D: pilot hole

Form E: reamed hole



### KIPP Handwheels disc, with revolving grip

Order No. Form D	Order No. Form E	D1	D2	D3	D4	D6	D7	D8	H	H1	H2	L1	L2	L3	L4
K0164.0100X06	K0164.1100X10	100	6/10H8	22	20	79	M6	29	12/-	9	8	29,5	19	39	54,7
K0164.0125X08	K0164.1125X12	125	8/12H8	26	21	101	M6	34	15/-	9	8	34	24	46	54,7
K0164.0140X08	K0164.1140X14	140	8/14H8	30	25	110	M8	39	16/-	12	8	38,5	27	52	82,2
K0164.0160X10	K0164.1160X16	160	10/16H8	33	30	128	M8	43	20/-	12	8	41,3	30,1	57	82,2
-	K0164.1160X18	160	18H8	33	30	128	M8	43	-	12	8	41,3	30,1	57	82,2

### KIPP Handwheels disc, with revolving grip, metal parts stainless steel

Order No. Form D	Order No. Form E	D1	D2	D3	D4	D6	D7	D8	H	H1	H2	L1	L2	L3	L4
K0164.2100X06	K0164.3100X10	100	6/10H7	22	20	79	M6	29	12/-	9	8	29,5	19	39	54,7
K0164.2125X08	K0164.3125X12	125	8/12H7	26	21	101	M6	34	15/-	9	8	34	24	46	54,7
K0164.2140X08	K0164.3140X14	140	8/14H7	30	25	110	M8	39	16/-	12	8	38,5	27	52	82,2
K0164.2160X10	K0164.3160X16	160	10/16H7	33	30	128	M8	43	20/-	12	8	41,3	30,1	57	82,2
-	K0164.3160X18	160	18H7	33	30	128	M8	43	-	12	8	41,3	30,1	57	82,2