

## Handwheels disc

similar to DIN 950, aluminium

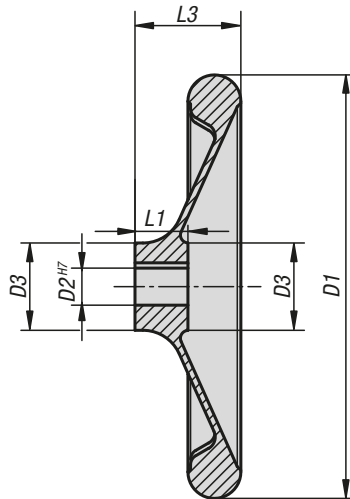
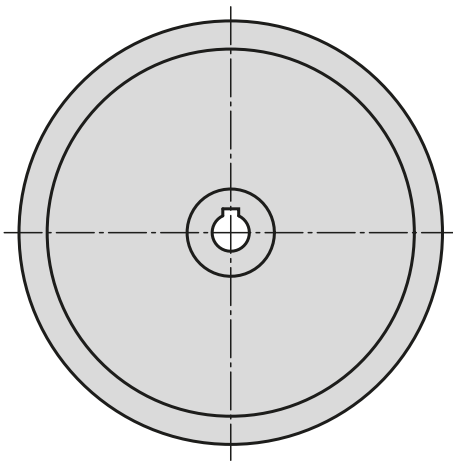


**Material:**  
Handwheel aluminium.

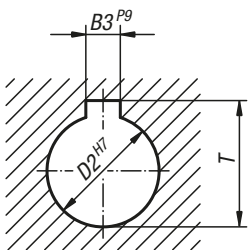
**Version:**  
Wheel rim turned and polished.  
Radial and axial run-out of rim < IT 12.

**Sample order:**  
K0163.0080X10

**On request:**  
Hubs with square socket or powder-coated handwheels.



DIN 6885-1



### KIPP Handwheels disc, similar to DIN 950, aluminium

Order No. reamed hole	Order No. reamed hole with slot	D1	D2	D3	L1	L3	B3	T
K0163.0080X10	K0163.1080X10	80	10H7	25	16	30	-/3	-/11,4
K0163.0080X12	K0163.1080X12	80	12H7	25	16	30	-/4	-/13,8
K0163.0100X10	K0163.1100X10	100	10H7	28	17	31	-/3	-/11,4
K0163.0100X12	K0163.1100X12	100	12H7	28	17	31	-/4	-/13,8
K0163.0120X12	K0163.1120X12	120	12H7	27	18	30	-/4	-/13,8
K0163.0120X14	K0163.1120X14	120	14H7	27	18	30	-/5	-/16,3
K0163.0160X14	K0163.1160X14	160	14H7	34	20	40	-/5	-/16,3
K0163.0160X16	K0163.1160X16	160	16H7	34	20	40	-/5	-/18,3
K0163.0200X18	K0163.1200X18	200	18H7	40	24	44	-/6	-/20,8
K0163.0200X22	K0163.1200X22	200	22H7	40	24	44	-/6	-/24,8
K0163.0250X22	K0163.1250X22	250	22H7	49	28	61	-/6	-/24,8
K0163.0250X26	K0163.1250X26	250	26H7	49	28	61	-/8	-/29,3
K0163.0280X24	K0163.1280X24	280	24H7	51	30	38	-/8	-/27,3
K0163.0280X28	K0163.1280X28	280	28H7	51	30	38	-/8	-/31,3
K0163.0360X28	K0163.1360X28	360	28H7	63	35	73	-/8	-/31,3
K0163.0360X32	K0163.1360X32	360	32H7	63	35	73	-/10	-/35,3