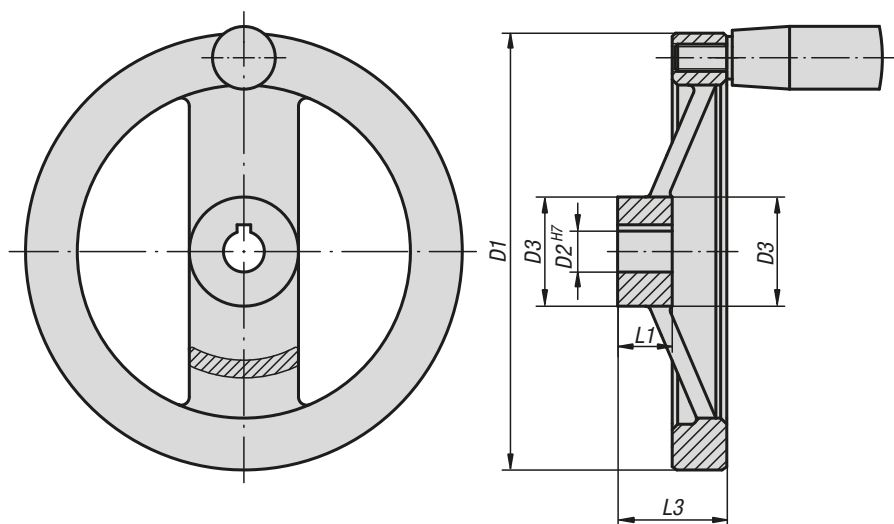


Handwheels 2-spoke

flat rim, aluminium



Material:

Handwheels aluminium.
Cylinder grip black thermoset PF 31-DIN 7708, centre pin electro zinc-plated steel.

Version:

Wheel rim turned and polished.
Radial and axial run-out of rim < IT 12.

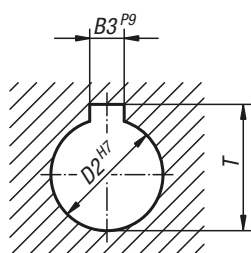
Sample order:

K0162.4080X10

On request:

Hubs with square socket or powder-coated handwheels.

DIN 6885-1



KIPP Handwheels 2-spoke, aluminium, flat wheel rim, without grip

Order No. reamed hole	Order No. reamed hole with slot	D1	D2	D3	L1	L3	B3	T
K0162.0080X10	K0162.1080X10	80	10H7	24	16	28	-/3	-/11,4
K0162.0080X12	K0162.1080X12	80	12H7	24	16	28	-/4	-/13,8
K0162.0100X10	K0162.1100X10	100	10H7	26	17	33	-/3	-/11,4
K0162.0100X12	K0162.1100X12	100	12H7	26	17	33	-/4	-/13,8
K0162.0125X12	K0162.1125X12	125	12H7	31	18	33,5	-/4	-/13,8
K0162.0125X14	K0162.1125X14	125	14H7	31	18	33,5	-/5	-/16,3
K0162.0160X14	K0162.1160X14	160	14H7	40	20	39	-/5	-/16,3
K0162.0160X16	K0162.1160X16	160	16H7	40	20	39	-/5	-/18,3
K0162.0200X18	K0162.1200X18	200	18H7	42	24	45	-/6	-/20,8
K0162.0200X20	K0162.1200X20	200	20H7	42	24	45	-/6	-/22,8
K0162.0250X22	K0162.1250X22	250	22H7	48	28	51	-/6	-/24,8
K0162.0250X26	K0162.1250X26	250	26H7	48	28	51	-/8	-/29,3

Handwheels 2-spoke

flat rim, aluminium



KIPP Handwheels 2-spoke, aluminium, flat wheel rim, with fixed cylinder grip

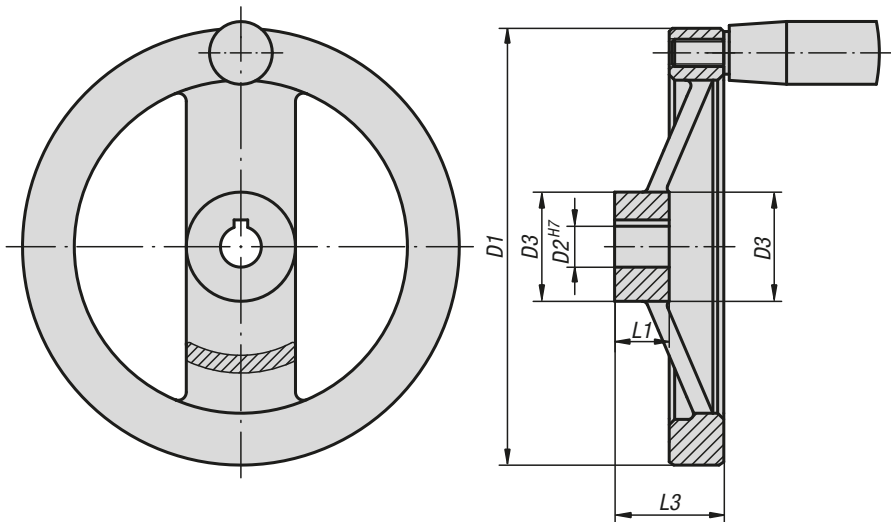
Order No. reamed hole	Order No. reamed hole with slot	D1	D2	D3	L1	L3	B3	T	Fixed cylinder grip
K0162.2080X10	K0162.3080X10	80	10H7	24	16	28	-/3	-/11,4	ø18 x M6 x 40
K0162.2080X12	K0162.3080X12	80	12H7	24	16	28	-/4	-/13,8	ø18 x M6 x 40
K0162.2100X10	K0162.3100X10	100	10H7	26	17	33	-/3	-/11,4	ø18 x M6 x 40
K0162.2100X12	K0162.3100X12	100	12H7	26	17	33	-/4	-/13,8	ø18 x M6 x 40
K0162.2125X12	K0162.3125X12	125	12H7	31	18	33,5	-/4	-/13,8	ø21 x M8 x 50
K0162.2125X14	K0162.3125X14	125	14H7	31	18	33,5	-/5	-/16,3	ø21 x M8 x 50
K0162.2160X14	K0162.3160X14	160	14H7	40	20	39	-/5	-/16,3	ø26 x M10 x 80
K0162.2160X16	K0162.3160X16	160	16H7	40	20	39	-/5	-/18,3	ø26 x M10 x 80
K0162.2200X18	K0162.3200X18	200	18H7	42	24	45	-/6	-/20,8	ø26 x M10 x 80
K0162.2200X20	K0162.3200X20	200	20H7	42	24	45	-/6	-/22,8	ø26 x M10 x 80
K0162.2250X22	K0162.3250X22	250	22H7	48	28	51	-/6	-/24,8	ø28 x M12 x 90
K0162.2250X26	K0162.3250X26	250	26H7	48	28	51	-/8	-/29,3	ø28 x M12 x 90

KIPP Handwheels 2-spoke, aluminium, flat wheel rim, with revolving cylinder grip

Order No. reamed hole	Order No. reamed hole with slot	D1	D2	D3	L1	L3	B3	T	Revolving cylinder grip
K0162.4080X10	K0162.5080X10	80	10H7	24	16	28	-/3	-/11,4	ø18 x M6 x 40
K0162.4080X12	K0162.5080X12	80	12H7	24	16	28	-/4	-/13,8	ø18 x M6 x 40
K0162.4100X10	K0162.5100X10	100	10H7	26	17	33	-/3	-/11,4	ø18 x M6 x 40
K0162.4100X12	K0162.5100X12	100	12H7	26	17	33	-/4	-/13,8	ø18 x M6 x 40
K0162.4125X12	K0162.5125X12	125	12H7	31	18	33,5	-/4	-/13,8	ø22 x M8 x 56
K0162.4125X14	K0162.5125X14	125	14H7	31	18	33,5	-/5	-/16,3	ø22 x M8 x 56
K0162.4160X14	K0162.5160X14	160	14H7	40	20	39	-/5	-/16,3	ø26 x M10 x 80
K0162.4160X16	K0162.5160X16	160	16H7	40	20	39	-/5	-/18,3	ø26 x M10 x 80
K0162.4200X18	K0162.5200X18	200	18H7	42	24	45	-/6	-/20,8	ø26 x M10 x 80
K0162.4200X20	K0162.5200X20	200	20H7	42	24	45	-/6	-/22,8	ø26 x M10 x 80
K0162.4250X22	K0162.5250X22	250	22H7	48	28	51	-/6	-/24,8	ø31 x M12 x 102
K0162.4250X26	K0162.5250X26	250	26H7	48	28	51	-/8	-/29,3	ø31 x M12 x 102

Handwheels 2-spoke

flat rim, aluminium



Material:

Handwheels aluminium.
Cylinder grip black thermoset PF 31-DIN 7708,
centre pin electro zinc-plated steel.

Version:

Black, powder-coated.
Wheel rim turned.
Radial and axial run-out of rim < IT 12.

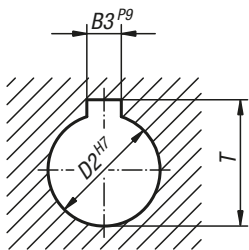
Sample order:

K0162.01080X10

On request:

Hubs with square socket.

DIN 6885-1



KIPP Handwheels 2-spoke, aluminium, flat wheel rim, without grip

Order No. reamed hole	Order No. reamed hole with slot	D1	D2	D3	L1	L3	B3	T
K0162.01080X10	K0162.11080X10	80	10H7	24	16	28	-/3	-/11,4
K0162.01080X12	K0162.11080X12	80	12H7	24	16	28	-/4	-/13,8
K0162.01100X10	K0162.11100X10	100	10H7	26	17	33	-/3	-/11,4
K0162.01100X12	K0162.11100X12	100	12H7	26	17	33	-/4	-/13,8
K0162.01125X12	K0162.11125X12	125	12H7	31	18	33,5	-/4	-/13,8
K0162.01125X14	K0162.11125X14	125	14H7	31	18	33,5	-/5	-/16,3
K0162.01160X14	K0162.11160X14	160	14H7	40	20	39	-/5	-/16,3
K0162.01160X16	K0162.11160X16	160	16H7	40	20	39	-/5	-/18,3
K0162.01200X18	K0162.11200X18	200	18H7	42	24	45	-/6	-/20,8
K0162.01200X20	K0162.11200X20	200	20H7	42	24	45	-/6	-/22,8
K0162.01250X22	K0162.11250X22	250	22H7	48	28	51	-/6	-/24,8
K0162.01250X26	K0162.11250X26	250	26H7	48	28	51	-/8	-/29,3

Handwheels 2-spoke

flat rim, aluminium



KIPP Handwheels 2-spoke, aluminium, flat wheel rim, with fixed cylinder grip

Order No. reamed hole	Order No. reamed hole with slot	D1	D2	D3	L1	L3	B3	T	Fixed cylinder grip
K0162.21080X10	K0162.31080X10	80	10H7	24	16	28	-/3	-/11,4	ø18 x M6 x 40
K0162.21080X12	K0162.31080X12	80	12H7	24	16	28	-/4	-/13,8	ø18 x M6 x 40
K0162.21100X10	K0162.31100X10	100	10H7	26	17	33	-/3	-/11,4	ø18 x M6 x 40
K0162.21100X12	K0162.31100X12	100	12H7	26	17	33	-/4	-/13,8	ø18 x M6 x 40
K0162.21125X12	K0162.31125X12	125	12H7	31	18	33,5	-/4	-/13,8	ø21 x M8 x 50
K0162.21125X14	K0162.31125X14	125	14H7	31	18	33,5	-/5	-/16,3	ø21 x M8 x 50
K0162.21160X14	K0162.31160X14	160	14H7	40	20	39	-/5	-/16,3	ø26 x M10 x 80
K0162.21160X16	K0162.31160X16	160	16H7	40	20	39	-/5	-/18,3	ø26 x M10 x 80
K0162.21200X18	K0162.31200X18	200	18H7	42	24	45	-/6	-/20,8	ø26 x M10 x 80
K0162.21200X20	K0162.31200X20	200	20H7	42	24	45	-/6	-/22,8	ø26 x M10 x 80
K0162.21250X22	K0162.31250X22	250	22H7	48	28	51	-/6	-/24,8	ø28 x M12 x 90
K0162.21250X26	K0162.31250X26	250	26H7	48	28	51	-/8	-/29,3	ø28 x M12 x 90

KIPP Handwheels 2-spoke, aluminium, flat wheel rim, with revolving cylinder grip

Order No. reamed hole	Order No. reamed hole with slot	D1	D2	D3	L1	L3	B3	T	Revolving cylinder grip
K0162.41080X10	K0162.51080X10	80	10H7	24	16	28	-/3	-/11,4	ø18 x M6 x 40
K0162.41080X12	K0162.51080X12	80	12H7	24	16	28	-/4	-/13,8	ø18 x M6 x 40
K0162.41100X10	K0162.51100X10	100	10H7	26	17	33	-/3	-/11,4	ø18 x M6 x 40
K0162.41100X12	K0162.51100X12	100	12H7	26	17	33	-/4	-/13,8	ø18 x M6 x 40
K0162.41125X12	K0162.51125X12	125	12H7	31	18	33,5	-/4	-/13,8	ø22 x M8 x 56
K0162.41125X14	K0162.51125X14	125	14H7	31	18	33,5	-/5	-/16,3	ø22 x M8 x 56
K0162.41160X14	K0162.51160X14	160	14H7	40	20	39	-/5	-/16,3	ø26 x M10 x 80
K0162.41160X16	K0162.51160X16	160	16H7	40	20	39	-/5	-/18,3	ø26 x M10 x 80
K0162.41200X18	K0162.51200X18	200	18H7	42	24	45	-/6	-/20,8	ø26 x M10 x 80
K0162.41200X20	K0162.51200X20	200	20H7	42	24	45	-/6	-/22,8	ø26 x M10 x 80
K0162.41250X22	K0162.51250X22	250	22H7	48	28	51	-/6	-/24,8	ø31 x M12 x 102
K0162.41250X26	K0162.51250X26	250	26H7	48	28	51	-/8	-/29,3	ø31 x M12 x 102