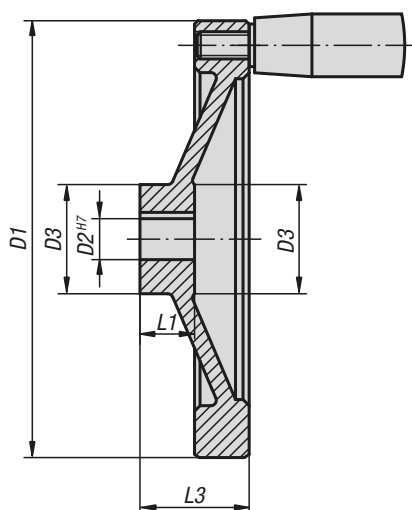
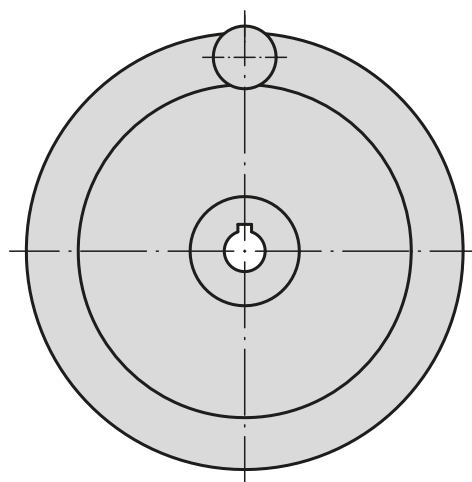


Handwheels disc

aluminium



Material:

Disc handwheel aluminium.
Cylinder grip black thermoset PF 31-DIN 7708.
Hub electro zinc-plated steel.

Version:

Wheel rim turned and polished.
Radial and axial run-out of rim < IT 12.

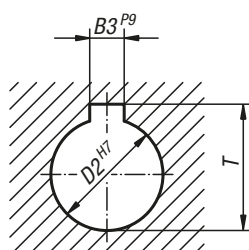
Sample order:

K0161.4080X10

On request:

Hubs with square socket or powder-coated handwheels.

DIN 6885-1



KIPP Handwheels disc, aluminium, without grip

Order No. reamed hole	Order No. reamed hole with slot	D1	D2	D3	L1	L3	B3	T
K0161.0080X10	K0161.1080X10	80	10H7	26	16	31	-/3	-/11,4
K0161.0080X12	K0161.1080X12	80	12H7	26	16	31	-/4	-/13,8
K0161.0100X10	K0161.1100X10	100	10H7	31	17	34	-/3	-/11,4
K0161.0100X12	K0161.1100X12	100	12H7	31	17	34	-/4	-/13,8
K0161.0125X12	K0161.1125X12	125	12H7	30	18	37	-/4	-/13,8
K0161.0125X14	K0161.1125X14	125	14H7	30	18	37	-/5	-/16,3
K0161.0140X14	K0161.1140X14	140	14H7	34	19	34	-/5	-/16,3
K0161.0140X15	K0161.1140X15	140	15H7	34	19	34	-/5	-/17,3
K0161.0160X15	K0161.1160X15	160	15H7	40	20	40	-/5	-/17,3
K0161.0160X16	K0161.1160X16	160	16H7	40	20	40	-/5	-/18,3
K0161.0200X18	K0161.1200X18	200	18H7	50	24	46	-/6	-/20,8
K0161.0200X20	K0161.1200X20	200	20H7	50	24	46	-/6	-/22,8
K0161.0250X22	K0161.1250X22	250	22H7	50	28	49	-/6	-/24,8
K0161.0250X24	K0161.1250X24	250	24H7	50	28	49	-/8	-/27,3

Handwheels disc

aluminium



KIPP Handwheels disc, aluminium, with fixed cylinder grip

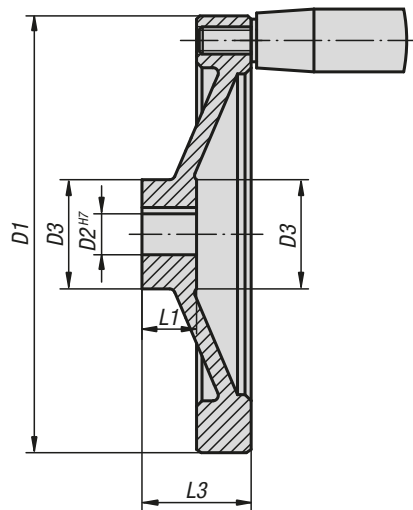
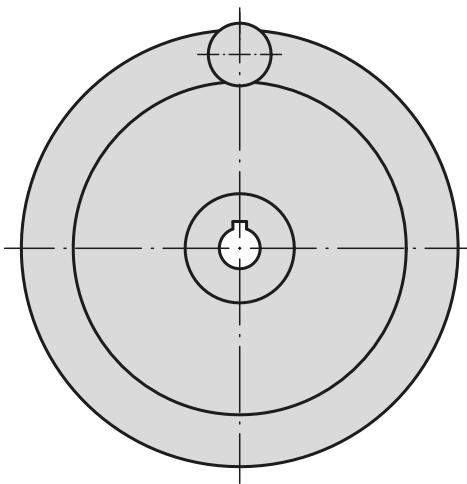
Order No. reamed hole	Order No. reamed hole with slot	D1	D2	D3	L1	L3	B3	T	Fixed cylinder grip
K0161.2080X10	K0161.3080X10	80	10H7	26	16	31	-/3	-/11,4	ø18 x M6 x 40
K0161.2080X12	K0161.3080X12	80	12H7	26	16	31	-/4	-/13,8	ø18 x M6 x 40
K0161.2100X10	K0161.3100X10	100	10H7	31	17	34	-/3	-/11,4	ø18 x M6 x 40
K0161.2100X12	K0161.3100X12	100	12H7	31	17	34	-/4	-/13,8	ø18 x M6 x 40
K0161.2125X12	K0161.3125X12	125	12H7	30	18	37	-/4	-/13,8	ø21 x M8 x 50
K0161.2125X14	K0161.3125X14	125	14H7	30	18	37	-/5	-/16,3	ø21 x M8 x 50
K0161.2140X14	K0161.3140X14	140	14H7	34	19	34	-/5	-/16,3	ø21 x M8 x 50
K0161.2140X15	K0161.3140X15	140	15H7	34	19	34	-/5	-/17,3	ø21 x M8 x 50
K0161.2160X15	K0161.3160X15	160	15H7	40	20	40	-/5	-/17,3	ø26 x M10 x 80
K0161.2160X16	K0161.3160X16	160	16H7	40	20	40	-/5	-/18,3	ø26 x M10 x 80
K0161.2200X18	K0161.3200X18	200	18H7	50	24	46	-/6	-/20,8	ø26 x M10 x 80
K0161.2200X20	K0161.3200X20	200	20H7	50	24	46	-/6	-/22,8	ø26 x M10 x 80
K0161.2250X22	K0161.3250X22	250	22H7	50	28	49	-/6	-/24,8	ø28 x M12 x 90
K0161.2250X24	K0161.3250X24	250	24H7	50	28	49	-/8	-/27,3	ø28 x M12 x 90

KIPP Handwheels disc, aluminium, with revolving cylinder grip

Order No. reamed hole	Order No. reamed hole with slot	D1	D2	D3	L1	L3	B3	T	Revolving cylinder grip
K0161.4080X10	K0161.5080X10	80	10H7	26	16	31	-/3	-/11,4	ø18 x M6 x 40
K0161.4080X12	K0161.5080X12	80	12H7	26	16	31	-/4	-/13,8	ø18 x M6 x 40
K0161.4100X10	K0161.5100X10	100	10H7	31	17	34	-/3	-/11,4	ø18 x M6 x 40
K0161.4100X12	K0161.5100X12	100	12H7	31	17	34	-/4	-/13,8	ø18 x M6 x 40
K0161.4125X12	K0161.5125X12	125	12H7	30	18	37	-/4	-/13,8	ø22 x M8 x 56
K0161.4125X14	K0161.5125X14	125	14H7	30	18	37	-/5	-/16,3	ø22 x M8 x 56
K0161.4140X14	K0161.5140X14	140	14H7	34	19	34	-/5	-/16,3	ø22 x M8 x 56
K0161.4140X15	K0161.5140X15	140	15H7	34	19	34	-/5	-/17,3	ø22 x M8 x 56
K0161.4160X15	K0161.5160X15	160	15H7	40	20	40	-/5	-/17,3	ø26 x M10 x 80
K0161.4160X16	K0161.5160X16	160	16H7	40	20	40	-/5	-/18,3	ø26 x M10 x 80
K0161.4200X18	K0161.5200X18	200	18H7	50	24	46	-/6	-/20,8	ø26 x M10 x 80
K0161.4200X20	K0161.5200X20	200	20H7	50	24	46	-/6	-/22,8	ø26 x M10 x 80
K0161.4250X22	K0161.5250X22	250	22H7	50	28	49	-/6	-/24,8	ø31 x M12 x 102
K0161.4250X24	K0161.5250X24	250	24H7	50	28	49	-/8	-/27,3	ø31 x M12 x 102

Handwheels disc

aluminium



Material:

Disc handwheel aluminium.
Cylinder grip black thermoset PF 31-DIN 7708.
Hub electro zinc-plated steel.

Version:

Black, powder-coated.
Wheel rim turned.
Radial and axial run-out of rim < IT 12.

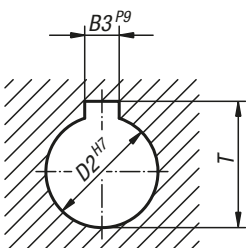
Sample order:

K0161.01080X10

On request:

Hubs with square socket.

DIN 6885-1



KIPP Handwheels disc, aluminium, without grip

Order No. reamed hole	Order No. reamed hole with slot	D1	D2	D3	L1	L3	B3	T
K0161.01080X10	K0161.11080X10	80	10H7	26	16	31	-/3	-/11,4
K0161.01080X12	K0161.11080X12	80	12H7	26	16	31	-/4	-/13,8
K0161.01100X10	K0161.11100X10	100	10H7	31	17	34	-/3	-/11,4
K0161.01100X12	K0161.11100X12	100	12H7	31	17	34	-/4	-/13,8
K0161.01125X12	K0161.11125X12	125	12H7	30	18	37	-/4	-/13,8
K0161.01125X14	K0161.11125X14	125	14H7	30	18	37	-/5	-/16,3
K0161.01140X14	K0161.11140X14	140	14H7	34	19	34	-/5	-/16,3
K0161.01140X15	K0161.11140X15	140	15H7	34	19	34	-/5	-/17,3
K0161.01160X15	K0161.11160X15	160	15H7	40	20	40	-/5	-/17,3
K0161.01160X16	K0161.11160X16	160	16H7	40	20	40	-/5	-/18,3
K0161.01200X18	K0161.11200X18	200	18H7	50	24	46	-/6	-/20,8
K0161.01200X20	K0161.11200X20	200	20H7	50	24	46	-/6	-/22,8
K0161.01250X22	K0161.11250X22	250	22H7	50	28	49	-/6	-/24,8
K0161.01250X24	K0161.11250X24	250	24H7	50	28	49	-/8	-/27,3

Handwheels disc

aluminium



KIPP Handwheels disc, aluminium, with fixed cylinder grip

Order No. reamed hole	Order No. reamed hole with slot	D1	D2	D3	L1	L3	B3	T	Fixed cylinder grip
K0161.21080X10	K0161.31080X10	80	10H7	26	16	31	-/3	-/11,4	ø18 x M6 x 40
K0161.21080X12	K0161.31080X12	80	12H7	26	16	31	-/4	-/13,8	ø18 x M6 x 40
K0161.21100X10	K0161.31100X10	100	10H7	31	17	34	-/3	-/11,4	ø18 x M6 x 40
K0161.21100X12	K0161.31100X12	100	12H7	31	17	34	-/4	-/13,8	ø18 x M6 x 40
K0161.21125X12	K0161.31125X12	125	12H7	30	18	37	-/4	-/13,8	ø21 x M8 x 50
K0161.21125X14	K0161.31125X14	125	14H7	30	18	37	-/5	-/16,3	ø21 x M8 x 50
K0161.21140X14	K0161.31140X14	140	14H7	34	19	34	-/5	-/16,3	ø21 x M8 x 50
K0161.21140X15	K0161.31140X15	140	15H7	34	19	34	-/5	-/17,3	ø21 x M8 x 50
K0161.21160X15	K0161.31160X15	160	15H7	40	20	40	-/5	-/17,3	ø26 x M10 x 80
K0161.21160X16	K0161.31160X16	160	16H7	40	20	40	-/5	-/18,3	ø26 x M10 x 80
K0161.21200X18	K0161.31200X18	200	18H7	50	24	46	-/6	-/20,8	ø26 x M10 x 80
K0161.21200X20	K0161.31200X20	200	20H7	50	24	46	-/6	-/22,8	ø26 x M10 x 80
K0161.21250X22	K0161.31250X22	250	22H7	50	28	49	-/6	-/24,8	ø28 x M12 x 90
K0161.21250X24	K0161.31250X24	250	24H7	50	28	49	-/8	-/27,3	ø28 x M12 x 90

KIPP Handwheels disc, aluminium, with revolving cylinder grip

Order No. reamed hole	Order No. reamed hole with slot	D1	D2	D3	L1	L3	B3	T	Revolving cylinder grip
K0161.41080X10	K0161.51080X10	80	10H7	26	16	31	-/3	-/11,4	ø18 x M6 x 40
K0161.41080X12	K0161.51080X12	80	12H7	26	16	31	-/4	-/13,8	ø18 x M6 x 40
K0161.41100X10	K0161.51100X10	100	10H7	31	17	34	-/3	-/11,4	ø18 x M6 x 40
K0161.41100X12	K0161.51100X12	100	12H7	31	17	34	-/4	-/13,8	ø18 x M6 x 40
K0161.41125X12	K0161.51125X12	125	12H7	30	18	37	-/4	-/13,8	ø22 x M8 x 56
K0161.41125X14	K0161.51125X14	125	14H7	30	18	37	-/5	-/16,3	ø22 x M8 x 56
K0161.41140X14	K0161.51140X14	140	14H7	34	19	34	-/5	-/16,3	ø22 x M8 x 56
K0161.41140X15	K0161.51140X15	140	15H7	34	19	34	-/5	-/17,3	ø22 x M8 x 56
K0161.41160X15	K0161.51160X15	160	15H7	40	20	40	-/5	-/17,3	ø26 x M10 x 80
K0161.41160X16	K0161.51160X16	160	16H7	40	20	40	-/5	-/18,3	ø26 x M10 x 80
K0161.41200X18	K0161.51200X18	200	18H7	50	24	46	-/6	-/20,8	ø26 x M10 x 80
K0161.41200X20	K0161.51200X20	200	20H7	50	24	46	-/6	-/22,8	ø26 x M10 x 80
K0161.41250X22	K0161.51250X22	250	22H7	50	28	49	-/6	-/24,8	ø31 x M12 x 102
K0161.41250X24	K0161.51250X24	250	24H7	50	28	49	-/8	-/27,3	ø31 x M12 x 102