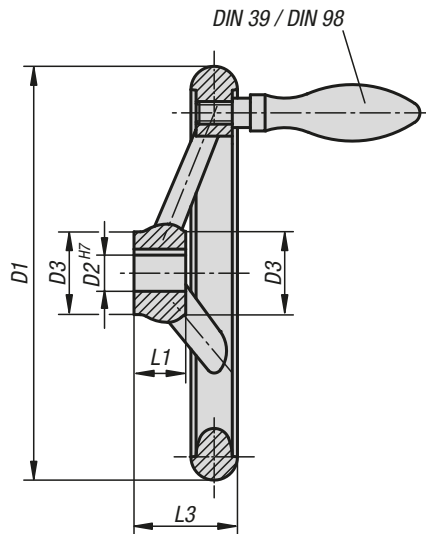
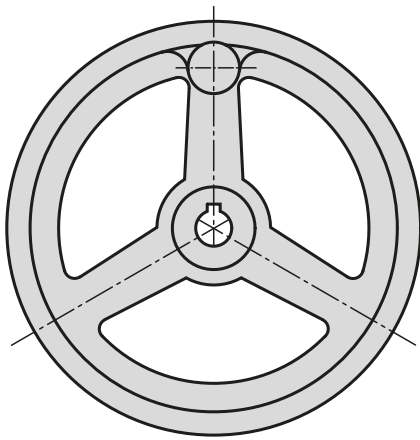


Handwheels

DIN 950, aluminium



Material:

Handwheel aluminium.

Fixed grip aluminium, centre pin black oxidised steel.

Revolving grip aluminium, centre pin trivalent blue passivated steel.

Version:

Wheel rim turned and polished.

Radial and axial run-out of rim < IT 12.

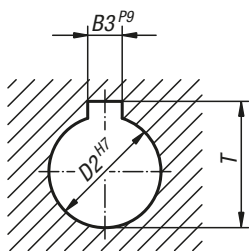
Sample order:

K0160.4080X10

On request:

Hubs with square socket or powder-coated handwheels.

DIN 6885-1



KIPP Handwheels DIN 950 aluminium, without grip

Order No. reamed hole	Order No. reamed hole with slot	D1	D2	D3	L1	L3	B3	T	No.of spokes
K0160.0080X10	K0160.1080X10	80	10H7	25	16	29	-/3	-/11,4	3
K0160.0080X12	K0160.1080X12	80	12H7	25	16	29	-/4	-/13,8	3
K0160.0100X10	K0160.1100X10	100	10H7	29	17	33	-/3	-/11,4	3
K0160.0100X12	K0160.1100X12	100	12H7	29	17	33	-/4	-/13,8	3
K0160.0125X12	K0160.1125X12	125	12H7	31	18	36	-/4	-/13,8	3
K0160.0125X14	K0160.1125X14	125	14H7	31	18	36	-/5	-/16,3	3
K0160.0140X14	K0160.1140X14	140	14H7	36	19	39	-/5	-/16,3	3
K0160.0140X16	K0160.1140X16	140	16H7	36	19	39	-/5	-/18,3	3
K0160.0160X14	K0160.1160X14	160	14H7	36	20	40	-/5	-/16,3	3
K0160.0160X16	K0160.1160X16	160	16H7	36	20	40	-/5	-/18,3	3
K0160.0180X16	K0160.1180X16	180	16H7	37	22	43	-/5	-/18,3	3
K0160.0180X18	K0160.1180X18	180	18H7	37	22	43	-/6	-/20,8	3
K0160.0200X18	K0160.1200X18	200	18H7	43	24	45	-/6	-/20,8	3
K0160.0200X22	K0160.1200X22	200	22H7	43	24	45	-/6	-/24,8	3
K0160.0250X22	K0160.1250X22	250	22H7	49	28	50	-/6	-/24,8	5
K0160.0250X26	K0160.1250X26	250	26H7	49	28	50	-/8	-/29,3	5
K0160.0315X26	K0160.1315X26	315	26H7	54	33	56	-/8	-/29,3	5
K0160.0315X30	K0160.1315X30	315	30H7	54	33	56	-/8	-/33,3	5
K0160.0400X30	K0160.1400X30	400	30H7	65	38	63	-/8	-/33,3	5
K0160.0400X34	K0160.1400X34	400	34H7	65	38	63	-/10	-/37,3	5
K0160.0500X34	K0160.1500X34	500	34H7	79	45	72	-/10	-/37,3	5
K0160.0500X40	K0160.1500X40	500	40H7	79	45	72	-/12	-/43,3	5

Handwheels

DIN 950, aluminium

KIPP Handwheels DIN 950 aluminium, with fixed grip

Order No. reamed hole	Order No. reamed hole with slot	D1	D2	D3	L1	L3	B3	T	No.of spokes	fixed grip DIN 39 Form E
K0160.2080X10	K0160.3080X10	80	10H7	25	16	29	-/3	-/11,4	3	ø16 x M6 x 50
K0160.2080X12	K0160.3080X12	80	12H7	25	16	29	-/4	-/13,8	3	ø16 x M6 x 50
K0160.2100X10	K0160.3100X10	100	10H7	29	17	33	-/3	-/11,4	3	ø16 x M6 x 50
K0160.2100X12	K0160.3100X12	100	12H7	29	17	33	-/4	-/13,8	3	ø16 x M6 x 50
K0160.2125X12	K0160.3125X12	125	12H7	31	18	36	-/4	-/13,8	3	ø20 x M8 x 64
K0160.2125X14	K0160.3125X14	125	14H7	31	18	36	-/5	-/16,3	3	ø20 x M8 x 64
K0160.2140X14	K0160.3140X14	140	14H7	36	19	39	-/5	-/16,3	3	ø20 x M8 x 64
K0160.2140X16	K0160.3140X16	140	16H7	36	19	39	-/5	-/18,3	3	ø20 x M8 x 64
K0160.2160X14	K0160.3160X14	160	14H7	36	20	40	-/5	-/16,3	3	ø25 x M10 x 80
K0160.2160X16	K0160.3160X16	160	16H7	36	20	40	-/5	-/18,3	3	ø25 x M10 x 80
K0160.2180X16	K0160.3180X16	180	16H7	37	22	43	-/5	-/18,3	3	ø25 x M10 x 80
K0160.2180X18	K0160.3180X18	180	18H7	37	22	43	-/6	-/20,8	3	ø25 x M10 x 80
K0160.2200X18	K0160.3200X18	200	18H7	43	24	45	-/6	-/20,8	3	ø25 x M10 x 80
K0160.2200X22	K0160.3200X22	200	22H7	43	24	45	-/6	-/24,8	3	ø25 x M10 x 80
K0160.2250X22	K0160.3250X22	250	22H7	49	28	50	-/6	-/24,8	5	ø32 x M12 x 100
K0160.2250X26	K0160.3250X26	250	26H7	49	28	50	-/8	-/29,3	5	ø32 x M12 x 100
K0160.2315X26	K0160.3315X26	315	26H7	54	33	56	-/8	-/29,3	5	ø32 x M12 x 100
K0160.2315X30	K0160.3315X30	315	30H7	54	33	56	-/8	-/33,3	5	ø32 x M12 x 100
K0160.2400X30	K0160.3400X30	400	30H7	65	38	63	-/8	-/33,3	5	ø36 x M16 x 112
K0160.2400X34	K0160.3400X34	400	34H7	65	38	63	-/10	-/37,3	5	ø36 x M16 x 112
K0160.2500X34	K0160.3500X34	500	34H7	79	45	72	-/10	-/37,3	5	ø36 x M16 x 112
K0160.2500X40	K0160.3500X40	500	40H7	79	45	72	-/12	-/43,3	5	ø36 x M16 x 112

KIPP Handwheels DIN 950 aluminium, with revolving grip

Order No. reamed hole	Order No. reamed hole with slot	D1	D2	D3	L1	L3	B3	T	No.of spokes	revolving grip DIN 98 Form E
K0160.4080X10	K0160.5080X10	80	10H7	25	16	29	-/3	-/11,4	3	ø16 x M6 x 54,5
K0160.4080X12	K0160.5080X12	80	12H7	25	16	29	-/4	-/13,8	3	ø16 x M6 x 54,5
K0160.4100X10	K0160.5100X10	100	10H7	29	17	33	-/3	-/11,4	3	ø16 x M6 x 54,5
K0160.4100X12	K0160.5100X12	100	12H7	29	17	33	-/4	-/13,8	3	ø16 x M6 x 54,5
K0160.4125X12	K0160.5125X12	125	12H7	31	18	36	-/4	-/13,8	3	ø20 x M8 x 67
K0160.4125X14	K0160.5125X14	125	14H7	31	18	36	-/5	-/16,3	3	ø20 x M8 x 67
K0160.4140X14	K0160.5140X14	140	14H7	36	19	39	-/5	-/16,3	3	ø20 x M8 x 67
K0160.4140X16	K0160.5140X16	140	16H7	36	19	39	-/5	-/18,3	3	ø20 x M8 x 67
K0160.4160X14	K0160.5160X14	160	14H7	36	20	40	-/5	-/16,3	3	ø25 x M10 x 83
K0160.4160X16	K0160.5160X16	160	16H7	36	20	40	-/5	-/18,3	3	ø25 x M10 x 83
K0160.4180X16	K0160.5180X16	180	16H7	37	22	43	-/5	-/18,3	3	ø25 x M10 x 83
K0160.4180X18	K0160.5180X18	180	18H7	37	22	43	-/6	-/20,8	3	ø25 x M10 x 83
K0160.4200X18	K0160.5200X18	200	18H7	43	24	45	-/6	-/20,8	3	ø25 x M10 x 83
K0160.4200X22	K0160.5200X22	200	22H7	43	24	45	-/6	-/24,8	3	ø25 x M10 x 83
K0160.4250X22	K0160.5250X22	250	22H7	49	28	50	-/6	-/24,8	5	ø32 x M12 x 105,5
K0160.4250X26	K0160.5250X26	250	26H7	49	28	50	-/8	-/29,3	5	ø32 x M12 x 105,5
K0160.4315X26	K0160.5315X26	315	26H7	54	33	56	-/8	-/29,3	5	ø32 x M12 x 105,5
K0160.4315X30	K0160.5315X30	315	30H7	54	33	56	-/8	-/33,3	5	ø32 x M12 x 105,5
K0160.4400X30	K0160.5400X30	400	30H7	65	38	63	-/8	-/33,3	5	ø36 x M16 x 117
K0160.4400X34	K0160.5400X34	400	34H7	65	38	63	-/10	-/37,3	5	ø36 x M16 x 117
K0160.4500X34	K0160.5500X34	500	34H7	79	45	72	-/10	-/37,3	5	ø36 x M16 x 117
K0160.4500X40	K0160.5500X40	500	40H7	79	45	72	-/12	-/43,3	5	ø36 x M16 x 117