

## Ball knobs smooth

DIN 319 enhanced



**Material:**  
Thermoset PF 31, black or red.  
Bush electro zinc-plated steel.

**Version:**  
High-gloss polished.

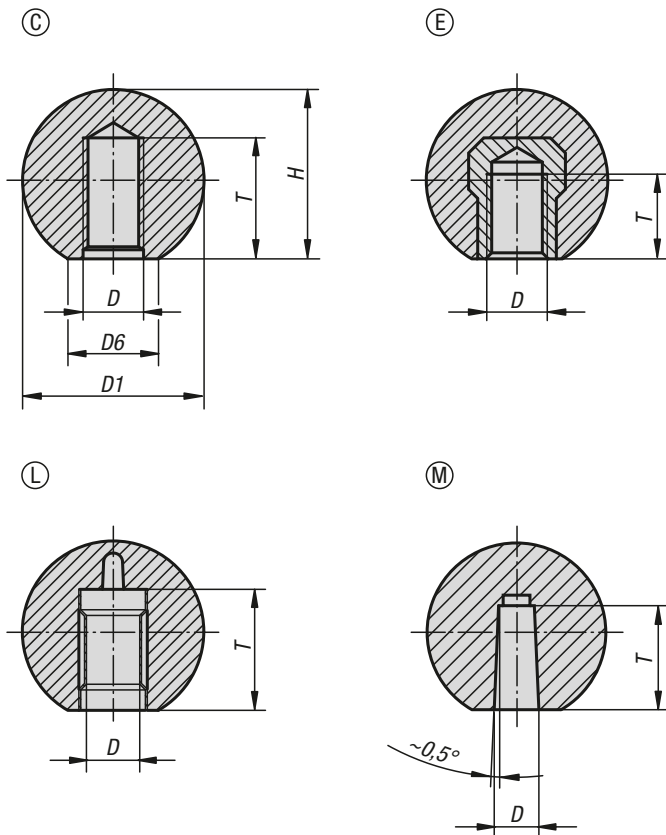
**Sample order:**  
K0159.11604

**Assembly:**  
Assembly, Form L: The ball knobs are installed by tapping lightly with a hammer. Please only use a rubber or plastic hammer with a weight up to 200 g!

The version B0307.21604 has a brass bush.  
The versions B0307.23008, B0307.230081, B0307.23508 and B0307.24008 have copper plated steel bushes.

**Shank tolerance:**  
Ball knobs with press-fit sleeve can be mounted on standard shafts with tolerance h9. The supplied press-fit sleeve assures a firm and reliable fit.

**Drawing reference:**  
Form C: moulded thread  
Form E: tapped bush  
Form L: press-fit sleeve  
Form M: tapered hole



### KIPP Ball knobs smooth DIN 319 enhanced, Form C, with molded thread

Order No. black	Order No. red	Form	D	D1	D6	H	T
K0159.11604	K0159.116041	C	M4	16	8	15	6
K0159.11605	K0159.116051	C	M5	16	8	15	7,5
K0159.12005	K0159.120051	C	M5	20	12	18	7,5
K0159.11606	-	C	M6	16	8	15	9
K0159.12006	K0159.120061	C	M6	20	12	18	9
K0159.12506	K0159.125061	C	M6	25	15	23	9
K0159.12508	K0159.125081	C	M8	25	15	23	12
K0159.13008	K0159.130081	C	M8	30	16	28	12
K0159.13208	K0159.132081	C	M8	32	18	29	12
K0159.13508	-	C	M8	36	17	33	18
K0159.14008	K0159.140081	C	M8	40	20	37,5	12
K0159.13210	-	C	M10	32	18	29	15
K0159.13510	K0159.135101	C	M10	36	17	33	15
K0159.14010	K0159.140101	C	M10	40	20	37,5	15
K0159.14510	-	C	M10	45	20	43	15
K0159.15010	K0159.150101	C	M10	50	22	48	15
K0159.14012	-	C	M12	40	20	37,5	18
K0159.14512	-	C	M12	45	20	43	18
K0159.15012	K0159.150121	C	M12	50	28	48	18

# Ball knobs smooth

DIN 319 enhanced

## KIPP Ball knobs smooth DIN 319 enhanced, Form E, with tapped bush

Order No. black	Order No. red	Form	D	D1	D6	H	T
K0159.21604	-	E	M4	16	8	15	6
K0159.22005	K0159.220051	E	M5	20	12	18	7,5
K0159.22006	-	E	M6	20	12	18	9
K0159.22506	K0159.225061	E	M6	25	15	23	9
K0159.22508	-	E	M8	25	15	23	12
K0159.23008	K0159.230081	E	M8	30	16	28	12
K0159.23208	-	E	M8	32	18	29	12
K0159.23508	-	E	M8	36	17	33	14
K0159.24008	-	E	M8	40	20	37,5	14
K0159.23210	-	E	M10	32	18	29	15
K0159.23510	K0159.235101	E	M10	36	17	33	14
K0159.24010	K0159.240101	E	M10	40	20	37,5	15
K0159.24510	-	E	M10	45	20	43	22
K0159.25010	-	E	M10	50	22	48	15
K0159.24012	K0159.240121	E	M12	40	20	37,5	18
K0159.24512	-	E	M12	45	20	43	21
K0159.25012	K0159.250121	E	M12	50	28	48	18

## KIPP Ball knobs smooth DIN 319 enhanced, Form L, with clamping sleeve

Order No.	Form	Main colour	D	D1	D6	H	T
K0159.42005	L	black	5	20	12	18	13
K0159.42506	L	black	6	25	15	23	16
K0159.42508	L	black	8	25	15	23	15
K0159.43208	L	black	8	32	18	29	15
K0159.43210	L	black	10	32	18	29	20
K0159.44010	L	black	10	40	20	37,5	20
K0159.44012	L	black	12	40	20	37,5	23
K0159.45012	L	black	12	50	28	48	20

## KIPP Ball knobs smooth DIN 319 enhanced, Form M, with tapered bore

Order No.	Form	Main colour	D	D1	D6	H	T
K0159.31604	M	black	4	16	8	15	9
K0159.32005	M	black	5	20	12	18	12
K0159.32506	M	black	6	25	15	23	15
K0159.32508	M	black	8	25	15	23	15
K0159.33208	M	black	8	32	18	29	15
K0159.33210	M	black	10	32	18	29	15
K0159.34010	M	black	10	40	20	37,5	20
K0159.34012	M	black	12	40	20	37,5	20
K0159.35012	M	black	12	50	28	48	22