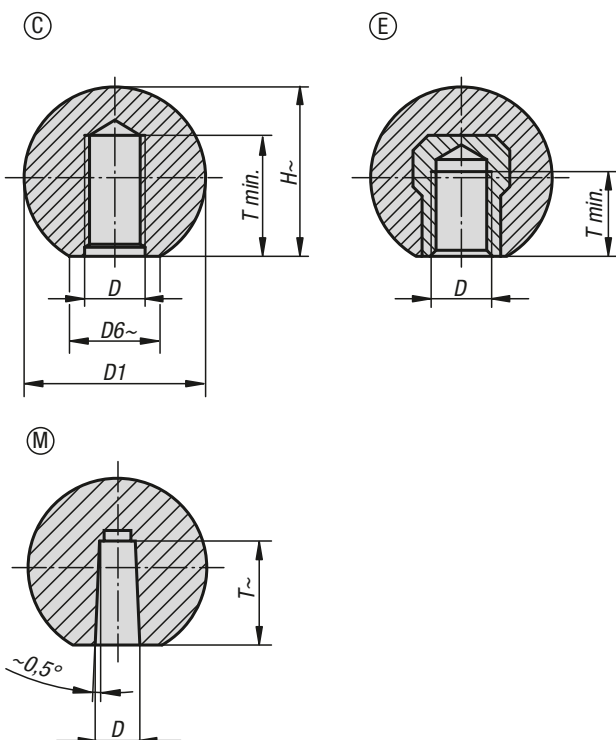


## Ball knobs

thermoplastic, DIN 319 enhanced



**Material:**  
Black thermoplastic.  
Bush steel.

**Version:**  
Steel electro zinc-plated.

**Sample order:**  
K0158.11604

**On request:**  
Other colours.

**Drawing reference:**  
Form C: plastic thread  
Form E: tapped bush  
Form M: tapered hole

### KIPP Ball knobs thermoplastic DIN 319 enhanced

Order No.	Form	D	D1	D6	H	T
K0158.11604	C	M4	16	8	15	6
K0158.11605	C	M5	16	8	15	7,5
K0158.12005	C	M5	20	12	18	7,5
K0158.12006	C	M6	20	12	18	9
K0158.12506	C	M6	25	15	22,5	9
K0158.12508	C	M8	25	15	22,5	12
K0158.13208	C	M8	32	18	29	12
K0158.13210	C	M10	32	18	29	15
K0158.14010	C	M10	40	22	37	15
K0158.14012	C	M12	40	22	37	15
K0158.22005	E	M5	20	12	18	7,5
K0158.22006	E	M6	20	12	18	7,5
K0158.22506	E	M6	25	15	22,5	9
K0158.22508	E	M8	25	15	22,5	9
K0158.23208	E	M8	32	18	29	12
K0158.23210	E	M10	32	18	29	12
K0158.32005	M	5	20	12	18	12
K0158.32506	M	6	25	15	22,5	15
K0158.32508	M	8	25	15	22,5	15
K0158.33208	M	8	32	18	29	15
K0158.33210	M	10	32	18	29	15
K0158.34010	M	10	40	22	37	20
K0158.34012	M	12	40	22	37	20