

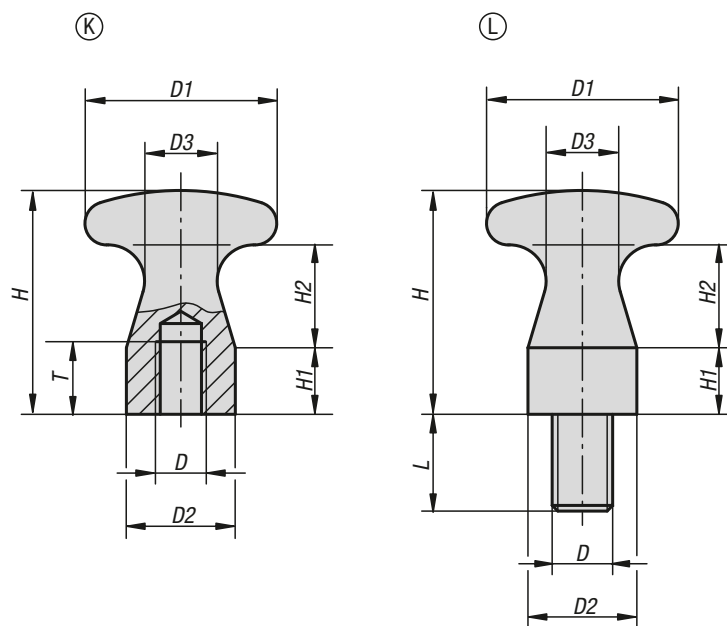
Knobs flat



Material:
Steel.

Version:
Black oxidised.

Sample order:
K0157.08



KIPP Knobs flat, internal thread

Order No.	Form	D	D1	D2	D3	H	H1	H2	T
K0157.05	K	M5	16	10	6	18	5	9	7
K0157.06	K	M6	25	14	10	29	9	13	9
K0157.08	K	M8	32	18	12	37	11	17	12
K0157.10	K	M10	36	20	13	42	12	20	15

KIPP Knobs flat, external thread

Order No.	Form	D	D1	D2	D3	H	H1	H2	L
K0157.06010	L	M6	16	10	6	18	5	9	10
K0157.08014	L	M8	25	14	10	29	9	13	14
K0157.10016	L	M10	32	18	12	37	11	17	16
K0157.12018	L	M12	36	20	13	42	12	20	18