

Star grips

similar to DIN 6336



Material:
Black thermoplastic.
Bush and screw steel.

Version:
Bush and screw trivalent blue passivated.

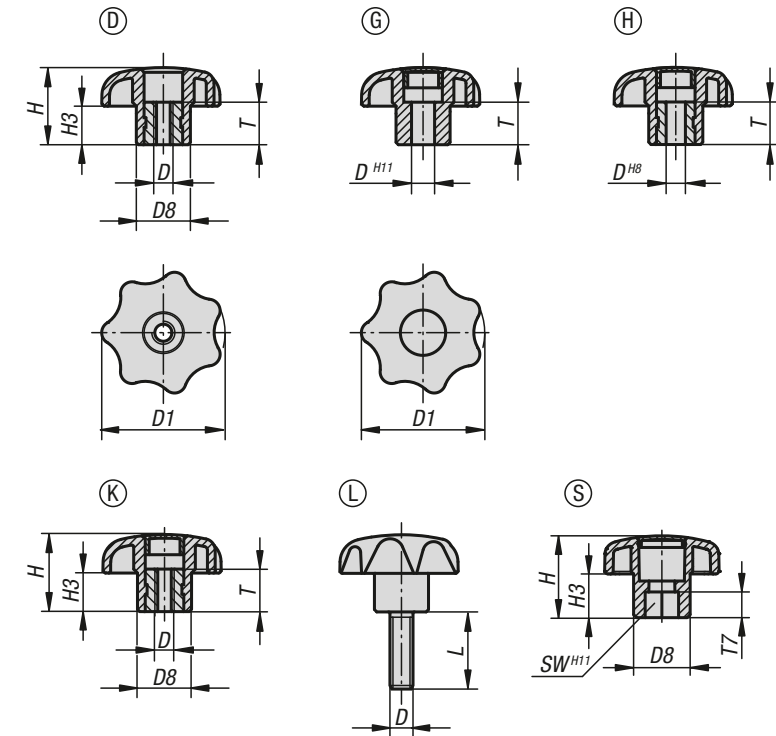
Sample order:
K0155.4127X30
(Cap colour colza yellow; include length L)

Note:
Δ Add the desired cap colour code here. No colour code is required for black caps.

On request:
Other colours or designs, such as company logo.

Drawing reference:
Form D: tapped bush without cap
Form G: without bush
Form H: with reamed bush
Form K: tapped bush with cap
Form L: external thread
Form S: hexagon

examples of grip cap designs



KIPP Star grips similar to DIN 6336

Order No.	Form	D	D1	D8	H	H3	T
K0155.504	D	M4	25	12	16	8	10
K0155.505	D	M5	25	12	16	8	10
K0155.5061	D	M6	25	12	16	8	10
K0155.5051	D	M5	32	14	20	10	10
K0155.506	D	M6	32	14	20	10	10
K0155.508	D	M8	40	18	25	13	14
K0155.5101	D	M10	40	18	25	13	14
K0155.5081	D	M8	50	22	32	17	14
K0155.510	D	M10	50	22	32	17	14
K0155.5121	D	M12	50	22	32	17	18
K0155.5102	D	M10	63	26	40	21	14
K0155.512	D	M12	63	26	40	21	18
K0155.516	D	M16	63	26	40	21	18

Star grips

similar to DIN 6336



Order No. Form G	Order No. Form H	D	D1	D8	H	H3	T
K0155.305Δ	K0155.105Δ	5	25	12	16	8	10
K0155.306Δ	K0155.106Δ	6	32	14	20	10	10
K0155.308Δ	K0155.108Δ	8	40	18	25	13	14
K0155.310Δ	K0155.110Δ	10	50	22	32	17	14
-	K0155.1101Δ	10	63	26	40	21	14
K0155.312Δ	K0155.112Δ	12	63	26	40	21	18

Order No.	Form	D	D1	D8	H	H3	T
K0155.204Δ	K	M4	25	12	16	8	10
K0155.205Δ	K	M5	25	12	16	8	10
K0155.2061Δ	K	M6	25	12	16	8	10
K0155.2051Δ	K	M5	32	14	20	10	10
K0155.206Δ	K	M6	32	14	20	10	10
K0155.208Δ	K	M8	40	18	25	13	14
K0155.2101Δ	K	M10	40	18	25	13	14
K0155.2081Δ	K	M8	50	22	32	17	14
K0155.210Δ	K	M10	50	22	32	17	14
K0155.2121Δ	K	M12	50	22	32	17	18
K0155.2102Δ	K	M10	63	26	40	21	14
K0155.212Δ	K	M12	63	26	40	21	18
K0155.216Δ	K	M16	63	26	40	21	18

Order No.	Form	D	D1	D8	H	H3	L
K0155.405ΔX	L	M5	25	12	16	8	10/15/20/25/30/35/40/45/50/60
K0155.406ΔX	L	M6	25	12	16	8	10/15/20/25/30/35/40/45/50/60
K0155.4061ΔX	L	M6	32	14	20	10	10/15/20/25/30/35/40/45/50/60
K0155.408ΔX	L	M8	32	14	20	10	15/20/25/30/35/40/45/50/60
K0155.4081ΔX	L	M8	40	18	25	13	15/20/25/30/35/40/45/50/60
K0155.410ΔX	L	M10	40	18	25	13	15/20/25/30/35/40/45/50/60
K0155.4101ΔX	L	M10	50	22	32	17	15/20/25/30/35/40/45/50/60
K0155.412ΔX	L	M12	50	22	32	17	15/20/25/30/35/40/45/50/60
K0155.4102ΔX	L	M10	63	26	40	21	20/25/30/35/40/45/50/60
K0155.4121ΔX	L	M12	63	26	40	21	20/25/30/35/40/45/50/60
K0155.416ΔX	L	M16	63	26	40	21	30/35/40/45/50/60

Order No.	Form	D1	D8	H	H3	SW	T7
K0155.808	S	32	14	20	10	8	5
K0155.810	S	40	18	25	13	10	10
K0155.813	S	50	22	32	17	13	10
K0155.816	S	63	26	40	21	16	15

Star grips biopolymer

similar to DIN 6336



Material:

Grip biopolymer.
Bush and screw steel.

Version:

Bush and screw trivalent blue passivated.
Natural beech with beech fibres or coloured black grey.

Sample order:

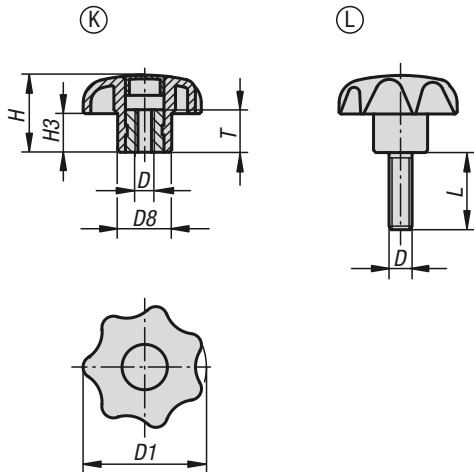
K0155.10406190X15

Advantages:

This biopolymer is manufactured entirely from renewable raw materials (oil free).
Conservation of finite fossil resources.
The wood fibres originate 100% from local, sustainably managed forests in Germany.

Features:

Excellent mechanical stability (certified with a minimum of 2x safety factor).
Biopolymer is suitable for recycling (comparable to thermoplastics).
Suitable for outdoor use (not biodegradable).
Excellent resistance to strong acids and lyes.
Short-term resistance to alcohol, fuel, mineral oil and grease.



Star grips biopolymer

similar to DIN 6336



KIPP Star grips biopolymer similar to DIN 6336, internal thread

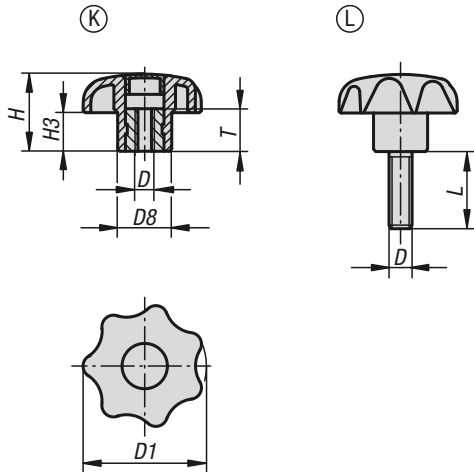
Order No.	Form	Main colour	D	D1	D8	H	H3	T
K0155.102051143	K	natural beech	M5	32	14	20	10	10
K0155.10206143	K	natural beech	M6	32	14	20	10	10
K0155.10208143	K	natural beech	M8	40	18	25	13	14
K0155.102081143	K	natural beech	M8	50	22	32	17	14
K0155.102101143	K	natural beech	M10	40	18	25	13	14
K0155.10210143	K	natural beech	M10	50	22	32	17	14
K0155.102121143	K	natural beech	M12	50	22	32	17	18
K0155.10205190	K	black grey RAL 7021	M5	32	14	20	10	10
K0155.1020690	K	black grey RAL 7021	M6	32	14	20	10	10
K0155.1020890	K	black grey RAL 7021	M8	40	18	25	13	14
K0155.10208190	K	black grey RAL 7021	M8	50	22	32	17	14
K0155.10210190	K	black grey RAL 7021	M10	40	18	25	13	14
K0155.1021090	K	black grey RAL 7021	M10	50	22	32	17	14
K0155.10212190	K	black grey RAL 7021	M12	50	22	32	17	18

KIPP Star grips biopolymer similar to DIN 6336, external thread

Order No.	Form	Main colour	D	D1	D8	H	H3	L
K0155.104061143X15	L	natural beech	M6	32	14	20	10	15
K0155.10408143X20	L	natural beech	M8	32	14	20	10	20
K0155.104081143X25	L	natural beech	M8	40	18	25	13	25
K0155.10410143X25	L	natural beech	M10	40	18	25	13	25
K0155.104101143X25	L	natural beech	M10	50	22	32	17	25
K0155.10412143X25	L	natural beech	M12	50	22	32	17	25
K0155.10406190X15	L	black grey RAL 7021	M6	32	14	20	10	15
K0155.1040890X20	L	black grey RAL 7021	M8	32	14	20	10	20
K0155.10408190X25	L	black grey RAL 7021	M8	40	18	25	13	25
K0155.1041090X25	L	black grey RAL 7021	M10	40	18	25	13	25
K0155.10410190X25	L	black grey RAL 7021	M10	50	22	32	17	25
K0155.1041290X25	L	black grey RAL 7021	M12	50	22	32	17	25

Star grips antistatic

similar to DIN 6336



Material:

Thermoplastic, graphite black.
Bush or screw steel 5.8.

Version:

Screw blue passivated.

Sample order:

K0155.1120824

Application:

Sensitive electrical or electronic equipment, components and devices (ESD sensitive elements) may be damaged or destroyed by electrostatic discharges (ESD) in the immediate vicinity. Electrostatic discharges can come from people or through handling ESD sensitive components (e.g. during production, assembly, transport, storage etc). Electrically conductive products which conform to DIN EN 61340-5-1 are essential within electronic environments to prevent an electrostatic discharge. These products can be used for ESD applications or in ESD protection areas (EPA) in accordance with DIN EN 61340-5-1.

Safety:

These ESD products can also be used for devices, components and protection systems in areas with high risk of explosion. Use of these ESD products prevents the occurrence of electrostatic spark discharges, eliminating the potential ignition of gases and dusts which could lead to explosions in enclosed spaces. Manufacturers and operators must use and conform to ATEX directives for the protection of persons working in areas with high risk of explosion. These ESD products are certified by TÜV-Süd in relation to their electrical discharge capability.

Target groups:

Device manufacturers required to conform to ATEX product directive 2014/34/EU.
Operators required to conform to ATEX worker protection directive 1999/92/EC.

Drawing reference:

Form K: tapped bush, with cap
Form L: external thread

KIPP Star grips antistatic similar to DIN 6336, internal thread, Form K

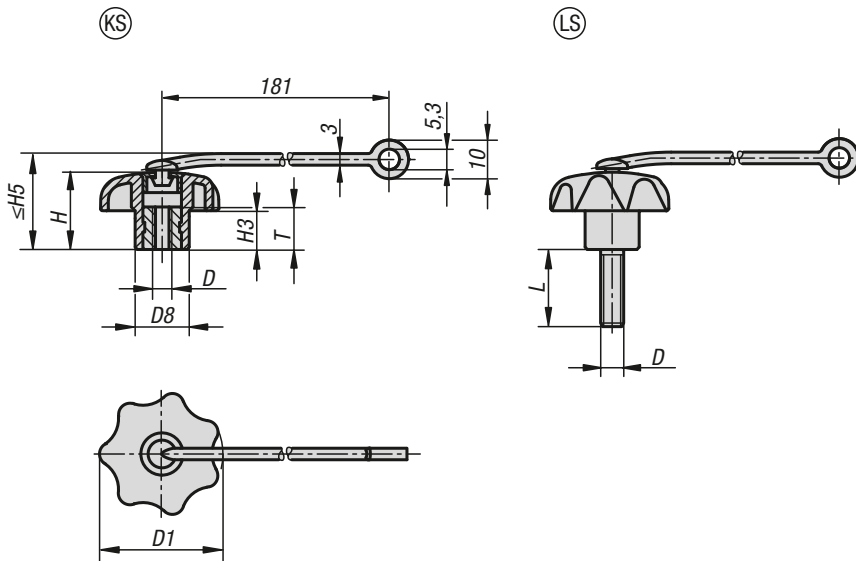
Order No.	Form	D	D1	D8	H	H3	T
K0155.1120824	K	M8	40	18	25	13	14

KIPP Star grips antistatic similar to DIN 6336, external thread, Form L

Order No.	Form	D	D1	D8	H	H3	L
K0155.11408124X25	L	M8	40	18	25	13	25

Star grips with safety cable

similar to DIN 6336



Material:

Grip thermoplastic.
Bush and screw steel.
Safety cable elastic TPU.

Version:

Bush and screw trivalent blue passivated.

Sample order:

K0155.7056X15
(cap colour traffic red; include length L)

Note:

Δ Add the desired cap colour code here. No colour code is required for black caps.

Attach the safety cable to a base to make the star grip unlosable. The star grip cannot be moved far from the object to which it belongs, simplifying screwing and unscrewing of the grip and ensuring against loss.

Assembly:

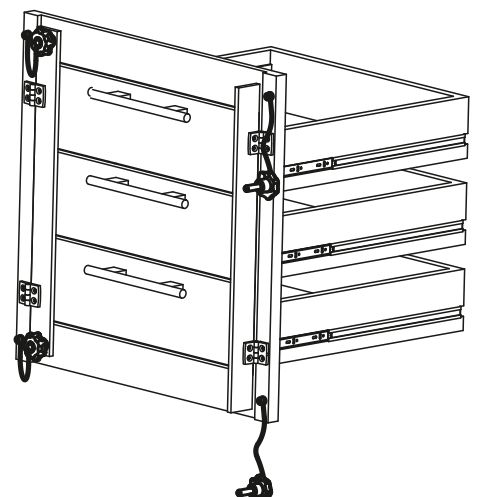
Do not stretch the band during assembly.
Make sure that the anchor is not too far from where the star grip is to be used.

Accessories:

The safety cable is also available as an accessory, see K0743.04190.

Drawing reference:

Form KS: tapped bush, with cap
Form LS: male thread



Star grips with safety cable

similar to DIN 6336



KIPP Star grips with safety cable, female thread, Form KS

Order No.	Form	D	D1	D8	H	H3	H5 max.	T
K0155.604Δ	KS	M4	25	12	16	8	22	10
K0155.605Δ	KS	M5	25	12	16	8	22	10
K0155.6061Δ	KS	M6	25	12	16	8	22	10
K0155.6051Δ	KS	M5	32	14	20	10	26	10
K0155.606Δ	KS	M6	32	14	20	10	26	10
K0155.608Δ	KS	M8	40	18	25	13	31	14
K0155.6101Δ	KS	M10	40	18	25	13	31	14
K0155.6081Δ	KS	M8	50	22	32	17	38	14
K0155.610Δ	KS	M10	50	22	32	17	38	14
K0155.6121Δ	KS	M12	50	22	32	17	38	14
K0155.6102Δ	KS	M10	63	26	40	21	46	14
K0155.612Δ	KS	M12	63	26	40	21	46	14
K0155.616Δ	KS	M16	63	26	40	21	46	14

KIPP Star grips with safety cable, male thread, Form LS

Order No.	Form	D	D1	D8	H	H3	H5 max.	L
K0155.705ΔX	LS	M5	25	12	16	8	22	10/15/20/25/30/35/40/45/50/60
K0155.706ΔX	LS	M6	25	12	16	8	22	10/15/20/25/30/35/40/45/50/60
K0155.7061ΔX	LS	M6	32	14	20	10	26	10/15/20/25/30/35/40/45/50/60
K0155.708ΔX	LS	M8	32	14	20	10	26	15/20/25/30/35/40/45/50/60
K0155.7081ΔX	LS	M8	40	18	25	13	31	15/20/25/30/35/40/45/50/60
K0155.710ΔX	LS	M10	40	18	25	13	31	15/20/25/30/35/40/45/50/60
K0155.7101ΔX	LS	M10	50	22	32	17	38	15/20/25/30/35/40/45/50/60
K0155.712ΔX	LS	M12	50	22	32	17	38	15/20/25/30/35/40/45/50/60
K0155.7102ΔX	LS	M10	63	26	40	21	46	20/25/30/35/40/45/50/60
K0155.7121ΔX	LS	M12	63	26	40	21	46	20/25/30/35/40/45/50/60
K0155.716ΔX	LS	M16	63	26	40	21	46	30/35/40/45/50/60