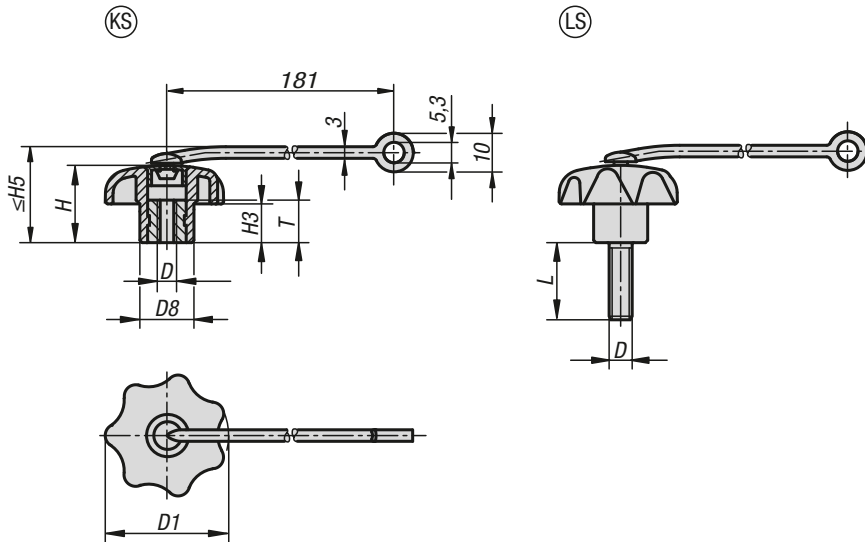


## Star grips with safety cable

similar to DIN 6336, metal parts stainless steel



**Material:**

Grip thermoplastic.  
Bush and screw stainless steel 1.4305.  
Safety cable elastic TPU.

**Version:**

Bush and screw bright.

**Sample order:**

K0154.7056X15  
(cap colour traffic red; include length L)

**Note:**

$\Delta$  Add the desired cap colour code here. No colour code is required for black caps.

Attach the safety cable to a base to make the star grip unlosable.

The star grip cannot be moved far from the object to which it belongs, simplifying screwing and unscrewing of the grip and ensuring against loss.

**Assembly:**

Do not stretch the band during assembly.  
Make sure that the anchor is not too far from where the star grip is to be used.

**Accessories:**

The safety cable is also available as an accessory, see K0743.04190.

**Drawing reference:**

Form KS: tapped bush, with cap  
Form LS: male thread



### KIPP Star grips with safety cable, metal parts stainless steel, internal thread, Form KS

Order No.	Form	D	D1	D8	H	H3	H5 max.	T
K0154.605 $\Delta$	KS	M5	25	12	16	8	22	10
K0154.606 $\Delta$	KS	M6	32	14	20	10	26	10
K0154.608 $\Delta$	KS	M8	40	18	25	13	31	14
K0154.610 $\Delta$	KS	M10	50	22	32	17	38	14
K0154.612 $\Delta$	KS	M12	63	26	40	21	46	18

### KIPP Star grips with safety cable, metal parts stainless steel, external thread, Form LS

Order No.	Form	D	D1	D8	H	H3	H5 max.	L
K0154.705 $\Delta$ X	LS	M5	25	12	16	8	22	15/20
K0154.706 $\Delta$ X	LS	M6	32	14	20	10	26	20/30
K0154.708 $\Delta$ X	LS	M8	40	18	25	13	31	15/20/25/30/40/60
K0154.710 $\Delta$ X	LS	M10	50	22	32	17	38	25/30/40/50/60

## Star grips antibacterial

similar to DIN 6336, metal parts stainless steel



**Material:**

Thermoplastic, slate grey.  
Bush and screw stainless steel 1.4305.

**Version:**

Bush and screw bright.

**Sample order:**

K0154.12408144X25

**Application:**

The antibacterial KIPP MEDI grip products are highly effective against a variety of hazardous microorganisms, such as bacteria, fungi and even multi-resistant bacteria (e.g. MRSA). The plastic used incorporates micro-silver particles with an antimicrobial effect to ensure effective results throughout the entire product life cycle.

**Function:**

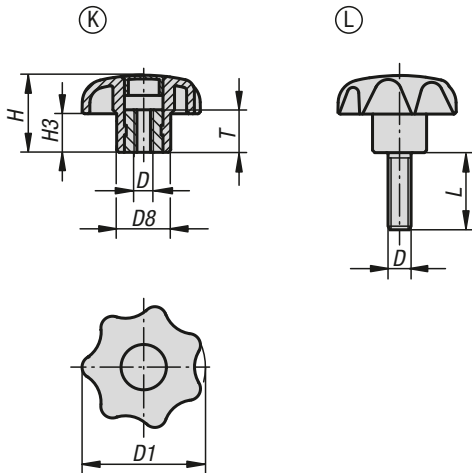
The growth of harmful micro-organisms on the product surface is effectively disrupted by means of silver ions, and the existing germs on MEDI grip products are consistently reduced (as tested and confirmed by an accredited testing laboratory). During cleaning cycles the risk of infection through touching these products is significantly lower.

**Advantages:**

Resistant to humidity and cleaning products (during disinfection) with no toxic side effects.

**Applications:**

For installation on machines, equipment, plants and furnishings in areas with increased hygienic requirements (including hospitals, doctors' surgeries, rehabilitation centres and food production facilities), as well as for use in public areas or regularly frequented institutions (i.e. nursing homes or daycare centres).



**KIPP Star grips antibacterial, similar to DIN 6336, metal parts stainless steel, internal thread, Form K**

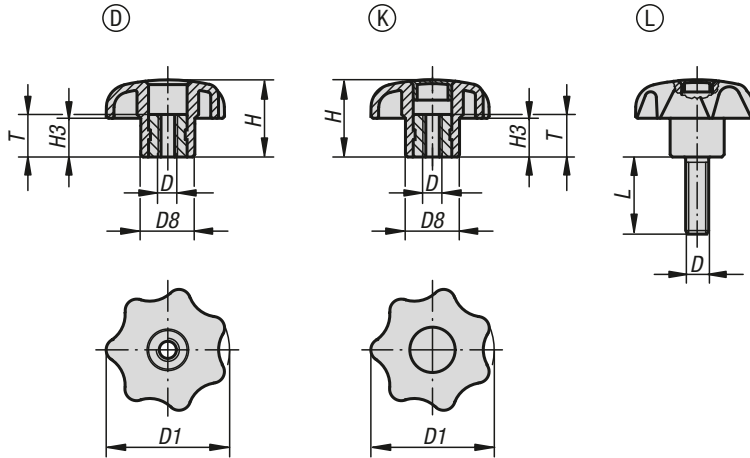
Order No.	Form	D	D1	D8	H	H3	T
K0154.12208144	K	M8	40	18	25	13	14

**KIPP Star grips antibacterial, similar to DIN 6336, metal parts stainless steel, external thread, Form L**

Order No.	Form	D	D1	D8	H	H3	L
K0154.12408144X25	L	M8	40	18	25	13	25

## Star grips

similar to DIN 6336, metal parts stainless steel



**Material:**  
Black thermoplastic.  
Bush and screw stainless steel 1.4305.

**Version:**  
Bush and screw bright.

**Sample order:**  
K0154.4067X30  
(cap colour colza yellow; include length L)

**Note:**  
Δ Add the desired cap colour code here. No colour code is required for black caps.

**On request:**  
Other colours or designs, such as company logo.

**Drawing reference:**  
Form D: tapped bush without cap  
Form K: tapped bush with cap  
Form L: external thread



### KIPP Star grips similar to DIN 6336, metal parts stainless steel, internal thread, without cap, Form D

Order No.	Form	D	D1	D8	H	H3	T
K0154.505	D	M5	25	12	16	8	10
K0154.506	D	M6	32	14	20	10	10
K0154.508	D	M8	40	18	25	13	14
K0154.510	D	M10	50	22	32	17	14
K0154.512	D	M12	63	26	40	21	18

### KIPP Star grips similar to DIN 6336, metal parts stainless steel, internal thread, with cap, Form K

Order No.	Form	D	D1	D8	H	H3	T
K0154.205Δ	K	M5	25	12	16	8	10
K0154.206Δ	K	M6	32	14	20	10	10
K0154.208Δ	K	M8	40	18	25	13	14
K0154.210Δ	K	M10	50	22	32	17	14
K0154.212Δ	K	M12	63	26	40	21	18

### KIPP Star grips similar to DIN 6336 metal parts stainless steel, with external thread, Form L

Order No.	Form	D	D1	D8	H	H3	L
K0154.405ΔX	L	M5	25	12	16	8	15/20
K0154.406ΔX	L	M6	32	14	20	10	20/30
K0154.408ΔX	L	M8	40	18	25	13	15/20/25/30/40/60
K0154.410ΔX	L	M10	50	22	32	17	25/30/40/50/60