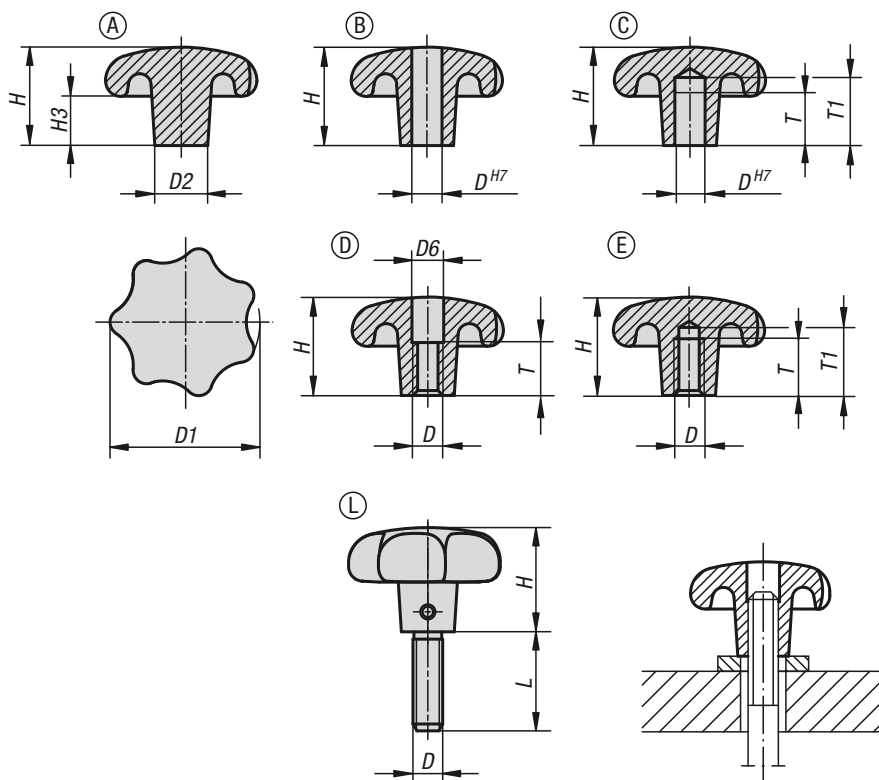


Star grips

grey cast iron, DIN 6336



Material:
 Grey cast iron GJL 200.
 Grub screw stainless steel 1.4305.
 Pin stainless steel 1.4310.

Version:
 Vibratory ground, bright.
 Grub screw and pin bright.

Sample order:
 K0151.606X20 (include length L.)

On request:
 Grips with a plastic coating.

Drawing reference:
 Form A: blank
 Form B: drilled through
 Form C: blind hole
 Form D: tapped and counterbored
 Form E: tapped blind hole
 Form L: external thread

KIPP Star grips, grey cast iron, DIN 6336

| Order No. | Form | Surface finish body | D | D1 | D2 | H | H3 |
|-----------|--------|---------------------|------|----|----|-------|----|
| K0151.106 | Form A | tumbled | -/6 | 32 | 12 | 21/20 | 10 |
| K0151.108 | Form A | tumbled | -/8 | 40 | 14 | 26/25 | 13 |
| K0151.110 | Form A | tumbled | -/10 | 50 | 18 | 34/32 | 17 |
| K0151.112 | Form A | tumbled | -/12 | 63 | 20 | 42/40 | 21 |
| K0151.116 | Form A | tumbled | -/16 | 80 | 25 | 52/50 | 25 |
| K0151.206 | Form B | tumbled | -/6 | 32 | 12 | 21/20 | 10 |
| K0151.216 | Form B | tumbled | -/16 | 80 | 25 | 52/50 | 25 |
| K0151.208 | Form B | tumbled | -/8 | 40 | 14 | 26/25 | 13 |
| K0151.210 | Form B | tumbled | -/10 | 50 | 18 | 34/32 | 17 |
| K0151.212 | Form B | tumbled | -/12 | 63 | 20 | 42/40 | 21 |

| Order No. Form C | Order No. Form D | Order No. Form E | Surface finish body | D | D1 | D2 | H | H3 | T | T1 |
|------------------|------------------|------------------|---------------------|----------------|----|----|----|----|----------|---------|
| K0151.306 | K0151.406 | K0151.506 | tumbled | 6 / M6 / M6 | 32 | 12 | 20 | 10 | 12/10/12 | 15/-/15 |
| K0151.308 | K0151.408 | K0151.508 | tumbled | 8 / M8 / M8 | 40 | 14 | 25 | 13 | 15/13/15 | 18/-/18 |
| K0151.310 | K0151.410 | K0151.510 | tumbled | 10 / M10 / M10 | 50 | 18 | 32 | 17 | 18/16/18 | 21/-/21 |
| K0151.312 | K0151.412 | K0151.512 | tumbled | 12 / M12 / M12 | 63 | 20 | 40 | 21 | 22/20/22 | 25/-/25 |
| K0151.316 | K0151.416 | K0151.516 | tumbled | 16 / M16 / M16 | 80 | 25 | 50 | 25 | 28/20/28 | 32/-/32 |

| Order No. | Form | Surface finish body | D | D1 | D2 | H | L |
|------------|------|---------------------|-----|----|----|----|-------------|
| K0151.606X | L | tumbled | M6 | 32 | 12 | 20 | 15/20/25/30 |
| K0151.608X | L | tumbled | M8 | 40 | 14 | 25 | 20/25/30/40 |
| K0151.610X | L | tumbled | M10 | 50 | 18 | 32 | 25/30/40/50 |
| K0151.612X | L | tumbled | M12 | 63 | 20 | 40 | 30/40/50/60 |