

## Star grips

stainless steel, similar to DIN 6336

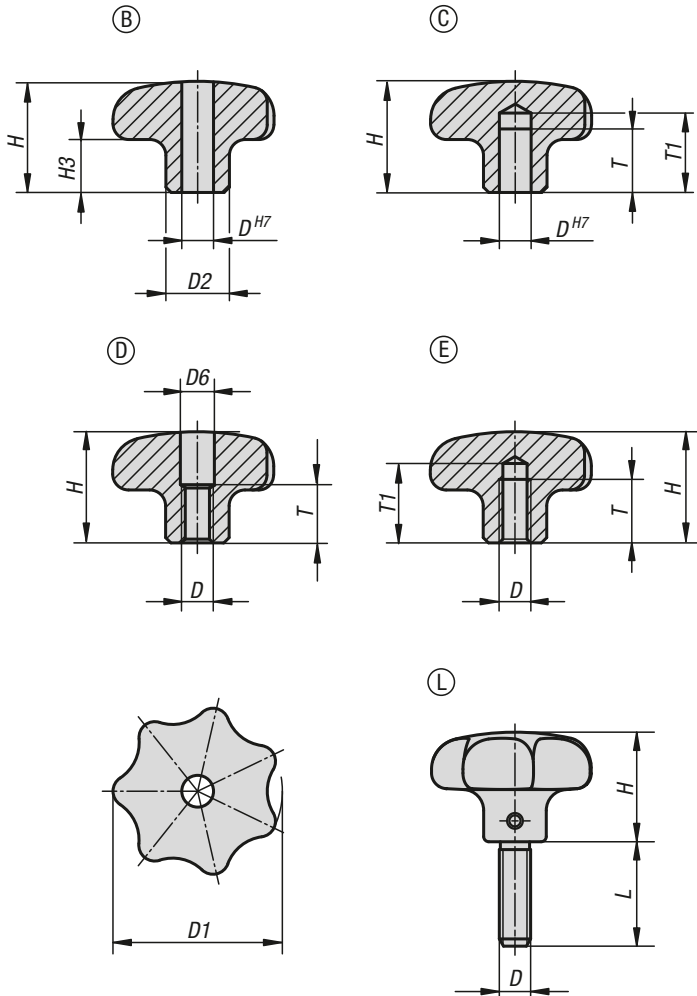


**Material:**  
 Stainless steel 1.4308.  
 Grub screw stainless steel 1.4305.  
 Pin stainless steel 1.4310.

**Version:**  
 Ground and polished or blasted.  
 Grub screw and pin bright.

**Sample order:**  
 K0150.632063X20 (include length L.)

**Drawing reference:**  
 Form B: drilled through  
 Form C: blind hole  
 Form D: tapped and counterbored  
 Form E: tapped blind hole  
 Form L: external thread



## Star grips

stainless steel, similar to DIN 6336



## KIPP Star grips in stainless steel, similar to DIN 6336



Order No. Form B	Order No. Form C	Surface finish body	D	D1	D2	H	H3	T	T1
K0150.232062	K0150.332062	polished	6	32	12	21	10	-/12	-/15
K0150.240082	K0150.340082	polished	8	40	14	26	13	-/15	-/18
K0150.250102	K0150.350102	polished	10	50	18	34	17	-/18	-/21
K0150.263122	K0150.363122	polished	12	63	20	42	21	-/22	-/25
K0150.232063	K0150.332063	blasted	6	32	12	21	10	-/12	-/15
K0150.240083	K0150.340083	blasted	8	40	14	26	13	-/15	-/18
K0150.250103	K0150.350103	blasted	10	50	18	34	17	-/18	-/21
K0150.263123	K0150.363123	blasted	12	63	20	42	21	-/22	-/25

Order No.	Form	Surface finish body	D	D1	D2	D6	H	H3	T
K0150.432062	D	polished	M6	32	12	6,4	21	10	11
K0150.440082	D	polished	M8	40	14	8,4	26	13	14
K0150.450102	D	polished	M10	50	18	10,5	34	17	18
K0150.463122	D	polished	M12	63	20	13	42	21	22
K0150.432063	D	blasted	M6	32	12	6,4	21	10	11
K0150.440083	D	blasted	M8	40	14	8,4	26	13	14
K0150.450103	D	blasted	M10	50	18	10,5	34	17	18
K0150.463123	D	blasted	M12	63	20	13	42	21	22

Order No.	Form	Surface finish body	D	D1	D2	H	H3	T	T1
K0150.532062	E	polished	M6	32	12	21	10	12	15
K0150.540082	E	polished	M8	40	14	26	13	15	18
K0150.550102	E	polished	M10	50	18	34	17	18	21
K0150.563122	E	polished	M12	63	20	42	21	22	25
K0150.532063	E	blasted	M6	32	12	21	10	12	15
K0150.540083	E	blasted	M8	40	14	26	13	15	18
K0150.550103	E	blasted	M10	50	18	34	17	18	21
K0150.563123	E	blasted	M12	63	20	42	21	22	25

Order No.	Form	Surface finish body	D	D1	D2	H	H3	L
K0150.632063X	L	blasted	M6	32	12	21	10	15/20/25/30
K0150.640083X	L	blasted	M8	40	14	26	13	20/25/30/40
K0150.650103X	L	blasted	M10	50	18	34	17	25/30/40/50
K0150.663123X	L	blasted	M12	63	20	42	21	30/40/50/60