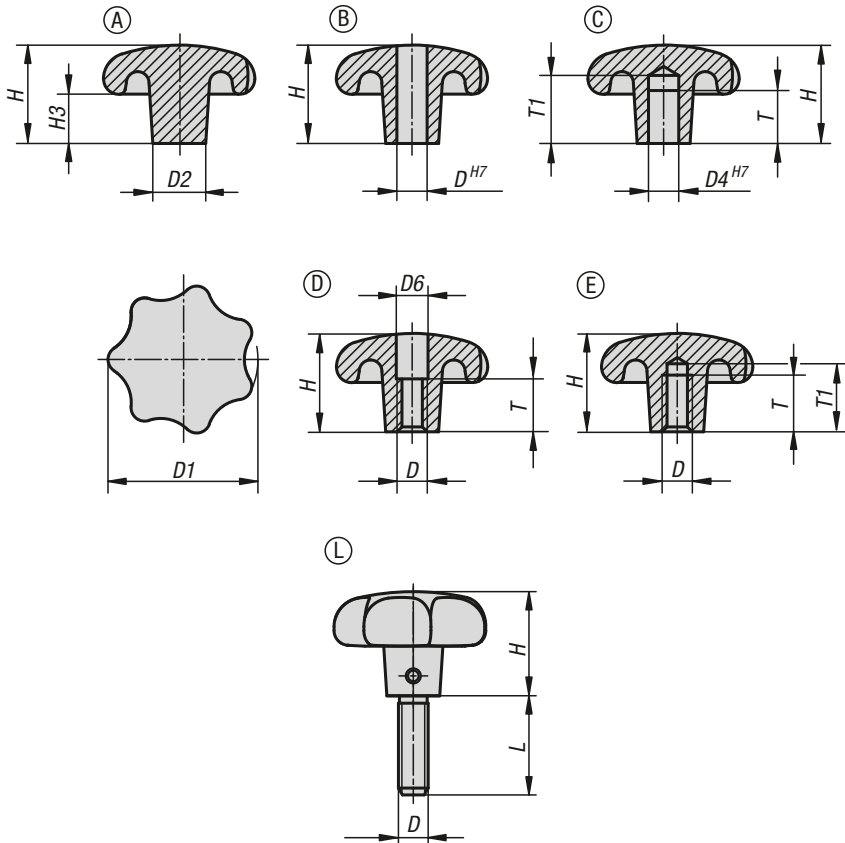


Star grips

aluminium, similar to DIN 6336



Material:

Aluminium.
Grub screw stainless steel 1.4305.
Pin stainless steel 1.4310.

Version:

Vibratory ground or ground and polished.
Grub screw and pin bright.

Sample order:

K0149.64008X20 (include length L.)

On request:

Blank star grips (not tumbled).

Drawing reference:

- Form A: blank
- Form B: drilled through
- Form C: blind hole
- Form D: tapped and counterbored
- Form E: tapped blind hole
- Form L: external thread

KIPP Star grips, aluminium, similar to DIN 6336

Order No.	Form	Surface finish body	D1	D2	H	H3
K0149.14008	A	tumbled	40	14	26	13
K0149.15010	A	tumbled	50	18	34	17
K0149.16312	A	tumbled	63	20	42	21
K0149.18016	A	tumbled	80	25	52	25

Order No. tumbled	Order No. polished	Form	D	D1	D2	H
K0149.24008	K0149.240082	B	8	40	14	25
K0149.25010	K0149.250102	B	10	50	18	32
K0149.26312	K0149.263122	B	12	63	20	40
K0149.28016	K0149.280162	B	16	80	25	50

Star grips

aluminium, similar to DIN 6336



Order No. tumbled	Order No. polished	Form	D	D1	D2	H	T	T1
K0149.34008	K0149.340082	C	8	40	14	25	15	18
K0149.35010	K0149.350102	C	10	50	18	32	18	21
K0149.36312	K0149.363122	C	12	63	20	40	22	25
K0149.38016	K0149.380162	C	16	80	25	50	28	32

Order No. tumbled	Order No. polished	Form	D	D1	D2	D6	H	T
K0149.44008	K0149.440082	D	M8	40	14	8,4	25	12
K0149.45010	K0149.450102	D	M10	50	18	10,5	32	16
K0149.46312	K0149.463122	D	M12	63	20	13	40	20
K0149.48016	K0149.480162	D	M16	80	25	17	50	30

Order No. tumbled	Order No. polished	Form	D	D1	D2	H	T	T1
K0149.54008	K0149.540082	E	M8	40	14	25	15	18
K0149.55010	K0149.550102	E	M10	50	18	32	18	21
K0149.56312	K0149.563122	E	M12	63	20	40	22	25
K0149.58016	K0149.580162	E	M16	80	25	50	28	32

Order No.	Form	Surface finish body	D	D1	D2	H	L
K0149.64008X	L	tumbled	M8	40	14	25	20/25/30/40
K0149.65010X	L	tumbled	M10	50	18	32	25/30/40/50
K0149.66312X	L	tumbled	M12	63	20	40	30/40/50/60