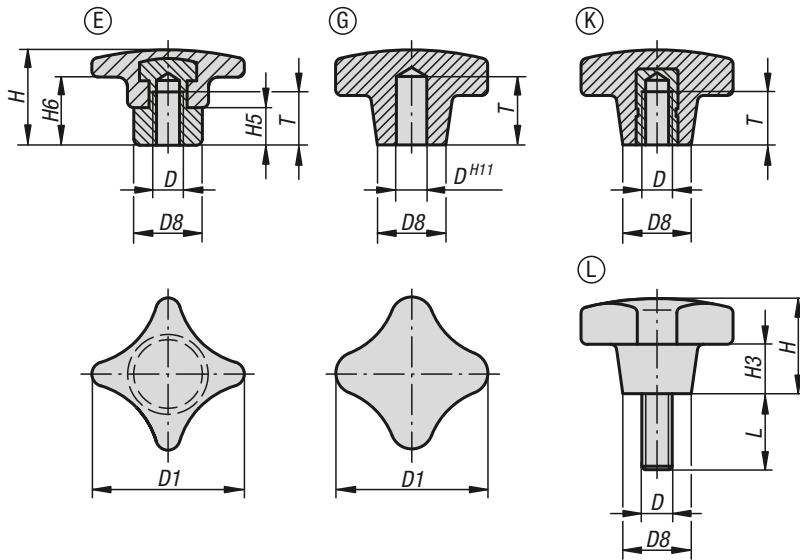


## Palm grips

similar to DIN 6335



**Material:**

Black thermoset PF 31.

Bush and screw electro zinc-plated steel.

**Version:**

High-gloss polished.

**Sample order:**

K0148.505X30 (include length L)

**Drawing reference:**

Form E: projecting steel bush

Form G: blind hole

Form K: tapped bush

Form L: external thread

## Palm grips

similar to DIN 6335



## KIPP Palm grips similar to DIN 6335, Form E

Order No.	Form	D	D1	D8	H	H5	H6	T
K0148.306	E	M6	32	12	23	9	12	12
K0148.308	E	M8	40	14	26	10	13	15
K0148.310	E	M10	50	18	32	12	18	18
K0148.312	E	M12	63	20	40	14	23	22
K0148.316	E	M16	80	25	50	17	28	28

## KIPP Palm grips similar to DIN 6335, Form G

Order No.	Form	D	D1	D8	H	H3	T
K0148.405	G	5	25	12	16	8	12
K0148.406	G	6	32	14	20	10	15
K0148.408	G	8	40	18	25	13	18
K0148.410	G	10	50	22	32	20	21
K0148.412	G	12	63	26	40	25	25

## KIPP Palm grips similar to DIN 6335, Form K

Order No.	Form	D	D1	D8	H	H3	T
K0148.205	K	M5	25	12	16	8	9,5
K0148.206	K	M6	32	14	20	10	12
K0148.208	K	M8	40	18	25	13	14
K0148.210	K	M10	50	22	32	20	18
K0148.212	K	M12	63	26	40	25	22
K0148.216	K	M16	80	35	50	30	30

## KIPP Palm grips similar to DIN 6335, Form L

Order No.	Form	D	D1	D8	H	H3	L
K0148.505X	L	M5	25	12	16	8	15/20/25/30/40/50
K0148.506X	L	M6	32	14	20	10	15/20/25/30/40/50
K0148.508X	L	M8	40	18	25	13	20/25/30/35/40/45/50
K0148.510X	L	M10	50	22	32	20	20/25/30/35/40/45/50
K0148.512X	L	M12	63	26	40	25	20/30/40/50/60