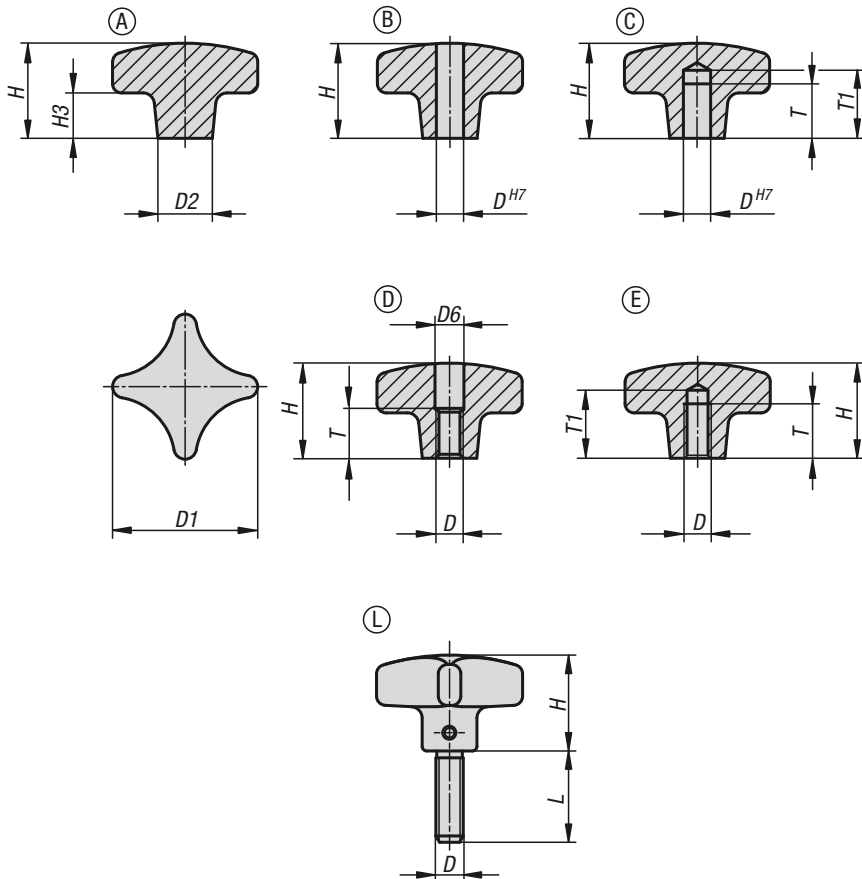


## Palm grips

grey cast iron, DIN 6335



**Material:**

Grey cast iron GJL 200.  
 Grub screw stainless steel 1.4305.  
 Pin stainless steel 1.4310.

**Version:**

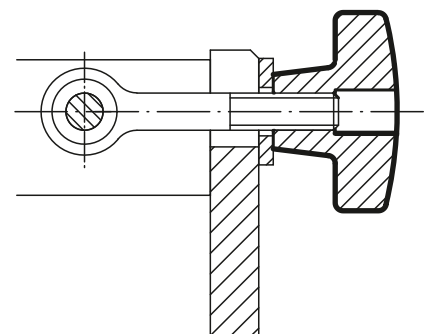
Vibratory ground, bright.  
 Grub screw and pin bright.

**Sample order:**

K0147.606X20 (include length L.)

**Drawing reference:**

Form A: blank  
 Form B: drilled through  
 Form C: blind hole  
 Form D: tapped and counterbored  
 Form E: tapped blind hole  
 Form L: external thread



## Palm grips

grey cast iron, DIN 6335



## KIPP Palm grips grey cast iron DIN 6335

Order No. Form A	Order No. Form B	Surface finish body	D	D1	D2	H	H3
K0147.106	K0147.206	tumbled	-/6	32	12	21/20	10
K0147.108	K0147.208	tumbled	-/8	40	14	26/25	14
K0147.110	K0147.210	tumbled	-/10	50	18	34/32	20
K0147.112	K0147.212	tumbled	-/12	63	20	42/40	25
K0147.116	K0147.216	tumbled	-/16	80	25	52/50	30
K0147.120	K0147.220	tumbled	-/20	100	32	65/63	38

Order No. Form C	Order No. Form D	Order No. Form E	Surface finish body	D	D1	D2	H	H3	T	T1
K0147.306	K0147.406	K0147.506	tumbled	6 / M6 / M6	32	12	20	10	12/10/12	15/-/15
K0147.308	K0147.408	K0147.508	tumbled	8 / M8 / M8	40	14	25	14	15/13/15	18/-/18
K0147.310	K0147.410	K0147.510	tumbled	10 / M10 / M10	50	18	32	20	18/16/18	21/-/21
K0147.312	K0147.412	K0147.512	tumbled	12 / M12 / M12	63	20	40	25	22/20/22	25/-/25
K0147.316	K0147.416	K0147.516	tumbled	16 / M16 / M16	80	25	50	30	28/20/28	32/-/32
K0147.320	K0147.420	K0147.520	tumbled	20 / M20 / M20	100	32	63	38	36/25/36	40/-/40

Order No.	Form	Surface finish body	D	D1	H	L
K0147.606X	L	tumbled	M6	32	20	15/20/25/30/40/50
K0147.608X	L	tumbled	M8	40	25	20/25/30/40/50
K0147.610X	L	tumbled	M10	50	32	20/25/30/40/50
K0147.612X	L	tumbled	M12	63	40	20/30/40/50