

Palm grips

stainless steel, similar to DIN 6335



Material:

Stainless steel 1.4308.
 Grub screw stainless steel 1.4305.
 Pin stainless steel 1.4310.

Version:

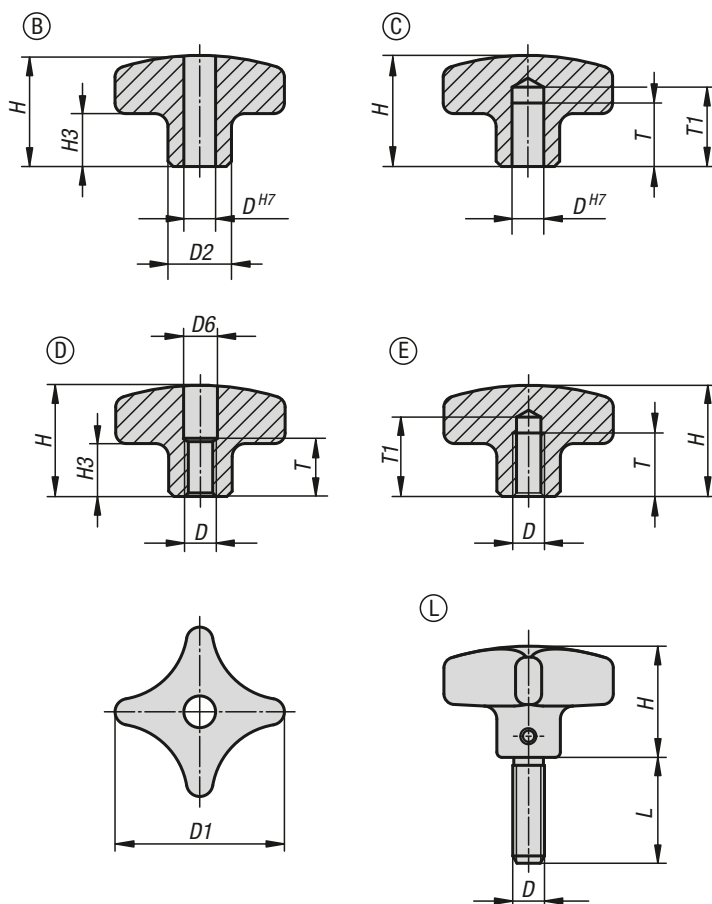
Ground and polished or blasted.
 Grub screw and pin bright.

Sample order:

K0146.6032063X20 (include length L.)

Drawing reference:

Form B: drilled through
 Form C: blind hole
 Form D: tapped and counterbored
 Form E: tapped blind hole
 Form L: external thread



Palm grips

stainless steel, similar to DIN 6335



KIPP Palm grips stainless steel, similar to DIN 6335

Order No. Form B	Order No. Form C	Surface finish body	D	D1	D2	H	H3	T	T1
K0146.2032062	K0146.3032062	polished	6	32	12	21	10	-/12	-/15
K0146.2040082	K0146.3040082	polished	8	40	14	26	14	-/15	-/18
K0146.2050102	K0146.3050102	polished	10	50	18	34	20	-/18	-/21
K0146.2063122	K0146.3063122	polished	12	63	20	42	25	-/22	-/25
K0146.2032063	K0146.3032063	blasted	6	32	12	21	10	-/12	-/15
K0146.2040083	K0146.3040083	blasted	8	40	14	26	14	-/15	-/18
K0146.2050103	K0146.3050103	blasted	10	50	18	34	20	-/18	-/21
K0146.2063123	K0146.3063123	blasted	12	63	20	42	25	-/22	-/25

Order No. Form D	Order No. Form E	Surface finish body	D	D1	D2	D6	H	H3	T	T1
K0146.4032062	K0146.5032062	polished	M6	32	12	6,4/-	21	10	11/12	-/15
K0146.4040082	K0146.5040082	polished	M8	40	14	8,4/-	26	14	14/15	-/18
K0146.4050102	K0146.5050102	polished	M10	50	18	10,5/-	34	20	18	-/21
K0146.4063122	K0146.5063122	polished	M12	63	20	13/-	42	25	22	-/25
K0146.4032063	K0146.5032063	blasted	M6	32	12	6,4/-	21	10	11/12	-/15
K0146.4040083	K0146.5040083	blasted	M8	40	14	8,4/-	26	14	14/15	-/18
K0146.4050103	K0146.5050103	blasted	M10	50	18	10,5/-	34	20	18	-/21
K0146.4063123	K0146.5063123	blasted	M12	63	20	13/-	42	25	22	-/25

Order No.	Form	Surface finish body	D	D1	D2	H	H3	L
K0146.6032063X	L	blasted	M6	32	12	21	10	15
K0146.6032063X	L	blasted	M6	32	12	21	10	20
K0146.6032063X	L	blasted	M6	32	12	21	10	25
K0146.6032063X	L	blasted	M6	32	12	21	10	30
K0146.6032063X	L	blasted	M6	32	12	21	10	40
K0146.6032063X	L	blasted	M6	32	12	21	10	50
K0146.6040083X	L	blasted	M8	40	14	26	14	20
K0146.6040083X	L	blasted	M8	40	14	26	14	25
K0146.6040083X	L	blasted	M8	40	14	26	14	30
K0146.6040083X	L	blasted	M8	40	14	26	14	40
K0146.6040083X	L	blasted	M8	40	14	26	14	50
K0146.6050103X	L	blasted	M10	50	18	34	20	20
K0146.6050103X	L	blasted	M10	50	18	34	20	25
K0146.6050103X	L	blasted	M10	50	18	34	20	30
K0146.6050103X	L	blasted	M10	50	18	34	20	40
K0146.6050103X	L	blasted	M10	50	18	34	20	50
K0146.6063123X	L	blasted	M12	63	20	42	25	20
K0146.6063123X	L	blasted	M12	63	20	42	25	30
K0146.6063123X	L	blasted	M12	63	20	42	25	40
K0146.6063123X	L	blasted	M12	63	20	42	25	50