

## Palm grips

aluminium, similar to DIN 6335



**Material:**

Aluminium.  
Grub screw stainless steel 1.4305.  
Pin stainless steel 1.4310.

**Version:**

Vibratory ground or ground and polished.  
Grub screw and pin bright.

**Sample order:**

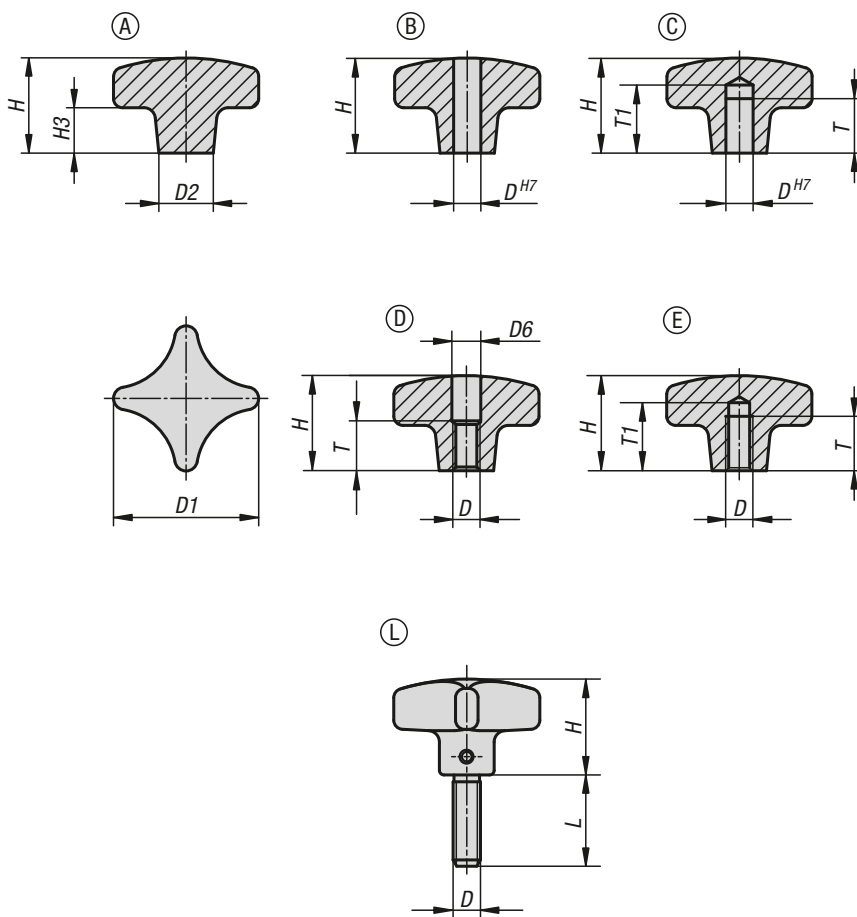
K0145.604008X20 (include length L.)

**On request:**

Blank palm grips (not tumbled).

**Drawing reference:**

- Form A: blank
- Form B: drilled through
- Form C: blind hole
- Form D: tapped and counterbored
- Form E: tapped blind hole
- Form L: external thread



**KIPP Palm grips aluminium, similar to DIN 6335**

Order No.	Form	Surface finish body	D1	D2	H	H3
K0145.104008	A	tumbled	40	14	26	14
K0145.105010	A	tumbled	50	18	34	20
K0145.106312	A	tumbled	63	25	42	25
K0145.108016	A	tumbled	80	25	52	30

# Palm grips

aluminium, similar to DIN 6335



## KIPP Palm grips similar to DIN 6335, aluminium

Order No. tumbled	Order No. polished	Form	D	D1	D2	H
K0145.204008	K0145.2040082	B	8	40	14	25
K0145.205010	K0145.2050102	B	10	50	18	32
K0145.206312	K0145.2063122	B	12	63	25	40
K0145.208016	K0145.2080162	B	16	80	25	50

Order No. tumbled	Order No. polished	Form	D	D1	D2	H	T	T1
K0145.304008	K0145.3040082	C	8	40	14	25	15	18
K0145.305010	K0145.3050102	C	10	50	18	32	18	21
K0145.306312	K0145.3063122	C	12	63	25	40	22	25
K0145.308016	K0145.3080162	C	16	80	25	50	28	32

Order No. tumbled	Order No. polished	Form	D	D1	D2	D6	H	T
K0145.404008	K0145.4040082	D	M8	40	14	8,4	25	15
K0145.405010	K0145.4050102	D	M10	50	18	10,5	32	18
K0145.406312	K0145.4063122	D	M12	63	25	13	40	22
K0145.408016	K0145.4080162	D	M16	80	25	17	50	28

Order No. tumbled	Order No. polished	Form	D	D1	D2	H	T	T1
K0145.504008	K0145.5040082	E	M8	40	14	25	15	18
K0145.505010	K0145.5050102	E	M10	50	18	32	18	21
K0145.506312	K0145.5063122	E	M12	63	25	40	22	25
K0145.508016	K0145.5080162	E	M16	80	25	50	28	32

Order No.	Form	Surface finish body	D	D1	D2	H	L
K0145.604008X	L	tumbled	M8	40	14	25	20/25/30/40/50
K0145.605010X	L	tumbled	M10	50	18	32	20/25/30/40/50
K0145.606312X	L	tumbled	M12	63	25	40	20/30/40/50