

Knurled nuts flat

steel and stainless steel, DIN 467

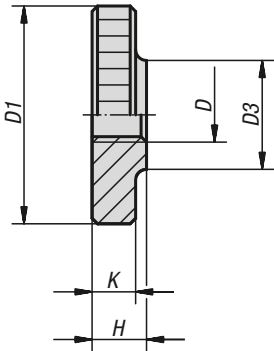


Material:
Steel.
Stainless steel 1.4305.

Version:
Steel black oxidised.
Stainless steel bright.

Sample order:
K0144.042

Note:
M12 flat knurled nuts are not included in the official standards sheet.



KIPP Knurled nuts flat, steel and stainless steel, DIN 467

Order No. stainless steel	Order No. steel	D	D1	D3	H	K
K0144.042	K0144.04	M4	16	8	4	3,5
K0144.052	K0144.05	M5	20	10	5	4
K0144.062	K0144.06	M6	24	12	6	5
K0144.082	K0144.08	M8	30	16	8	6
K0144.122	K0144.12	M12	36	20	10	8
K0144.102	K0144.10	M10	36	20	10	8

Knurled nuts high form

steel and stainless steel, DIN 466

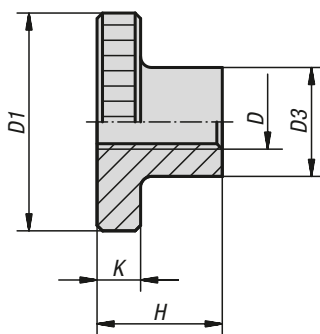


Material:
Steel.
Stainless steel 1.4305.

Version:
Steel black oxidised.
Stainless steel bright.

Sample order:
K0143.04

Note:
M12 high knurled nuts are not included in the official standards sheet.



KIPP Knurled nuts high form steel and stainless steel, DIN 466

Order No. stainless steel	Order No. steel	D	D1	D3	H	K
K0143.042	K0143.04	M4	16	8	9,5	3,5
K0143.052	K0143.05	M5	20	10	11,5	4
K0143.062	K0143.06	M6	24	12	15	5
K0143.082	K0143.08	M8	30	16	18	6
K0143.122	K0143.12	M12	36	20	23	8
K0143.102	K0143.10	M10	36	20	23	8

