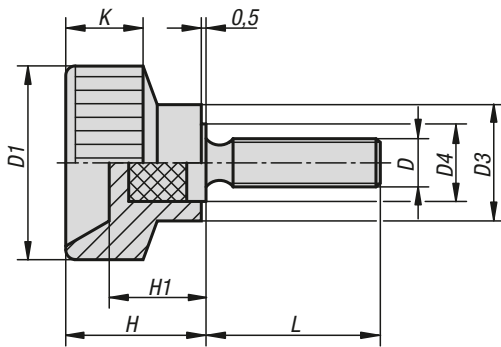


Knurled screws

plastic



Material:
Black thermoset PF 31.
Screw steel.

Version:
Screw electro zinc-plated.

Sample order:
K0141.05X25 (include length L)

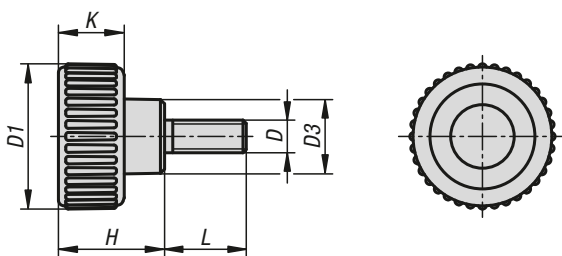
KIPP Knurled screws, plastic

Order No.	D	D1	D3	D4	H	H1	K	L
K0141.04X	M4	18	10	7	13,5	9	8	15/20
K0141.05X	M5	20	12	8	14,5	10	8	10/18/25
K0141.06X	M6	24	13	10	15	9,5	9	20/28
K0141.08X	M8	30	15	12	18	11	11	25/32
K0141.10X	M10	35	18	14	18,5	11	12	30

K1473

Knurled screws

plastic



Material:
Reinforced polyamide thermoplastic, black grey.
Threaded pin 5.8 steel or stainless steel 1.4305.

Version:
Threaded pin trivalent blue passivated steel, bright stainless steel.

Sample order:
K1473.2005X20 (include length L)

KIPP Knurled screws plastic

Order No. steel	Order No. stainless steel	D	D1	D3	H	K	L
K1473.1804X	K1473.18042X	M4	18	9	13	8	10/15
K1473.2005X	K1473.20052X	M5	20	10,6	15	9	10/15/20
K1473.2506X	K1473.25062X	M6	25	12	17	10	10/15/20/30/40
K1473.3208X	K1473.32082X	M8	32	14	22	13	15/20/30/40
K1473.4010X	K1473.40102X	M10	40	18	25	14	20/30/40

Advantages:
The knurled screws can be tightened or loosened without tools.
Suitable for manual fixing and clamping.
Various thread sizes and lengths.