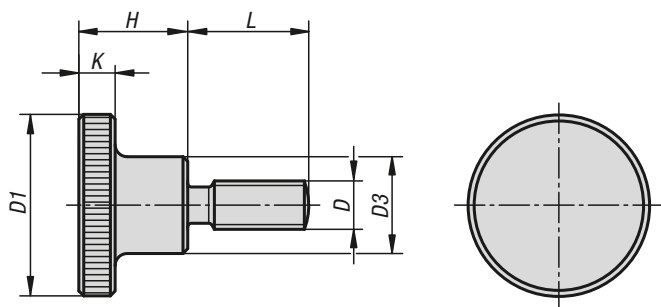


Knurled screws high form

steel and stainless steel, DIN 464



Material:

Steel.
Stainless steel 1.4305.

Version:

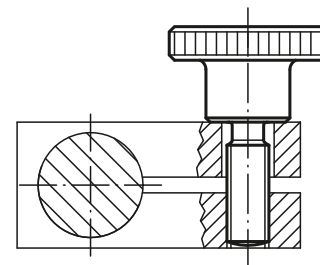
Steel, black oxidised.
Stainless steel, bright.

Sample order:

K0140.06X20 (include length L)

Note:

* Threads with these lengths have no undercut at the shoulder.



KIPP Knurled screws high, steel and stainless steel, DIN 464

Order No. stainless steel	Order No. steel	D	D1	D3	H	K	L
K0140.042X	K0140.04X	M4	16	8	9,5	3,5	10/16/20*
K0140.052X	K0140.05X	M5	20	10	11,5	4	10/16/20*
K0140.062X	K0140.06X	M6	24	12	15	5	10/16/20/25*
K0140.082X	K0140.08X	M8	30	16	18	6	16/20/25/30*
K0140.102X	K0140.10X	M10	36	20	23	8	20/25/30/40*