

## Knurled nuts

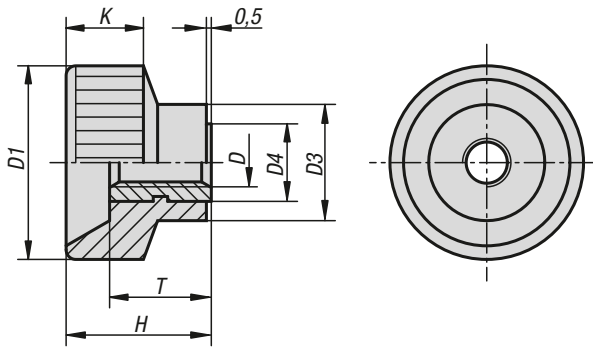
plastic



**Material:**  
Black thermoset PF 31.  
Tapped bush brass.

**Version:**  
Tapped bush nickel-plated.

**Sample order:**  
K0138.08



### KIPP Knurled nuts plastic

Order No.	D	D1	D3	D4	H	K	T
K0138.04	M4	18	10	7	13	8	9
K0138.05	M5	20	12	8	14	8	10
K0138.06	M6	24	13	9	16	9	10
K0138.08	M8	30	15	11	18	11	11
K0138.10	M10	35	18	14	19	12	11

## Knurled nuts

plastic

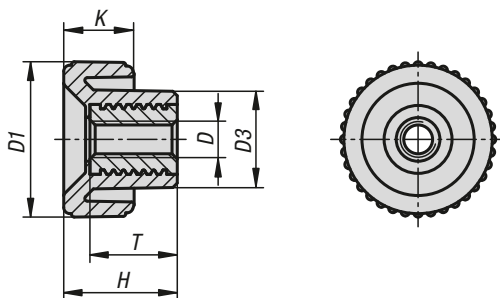


**Material:**  
Body reinforced polyamide thermoplastic, black grey.  
Tapped bush 5.8 steel or stainless steel 1.4305.

**Version:**  
Tapped bush blue passivated steel or bright stainless steel.

**Sample order:**  
K1472.1804

**Advantages:**  
The knurled nuts can be tightened or loosened without tools.  
Suitable for manual fixating and clamping.  
Various thread sizes.



### KIPP Knurled nuts plastic

Order No. steel	Order No. stainless steel	D	D1	D3	H	K	T
K1472.1804	K1472.18042	M4	18	11	13	8	10
K1472.2005	K1472.20052	M5	20	13,6	15	9	10
K1472.2006	K1472.20062	M6	20	13,6	15	9	10
K1472.2505	K1472.25052	M5	25	14	17	10	10
K1472.2506	K1472.25062	M6	25	14	17	10	10
K1472.3208	K1472.32082	M8	32	18	22	13	14
K1472.3210	K1472.32102	M10	32	18	22	13	14
K1472.4008	K1472.40082	M8	40	19	25	14	14
K1472.4010	K1472.40102	M10	40	19	25	14	14