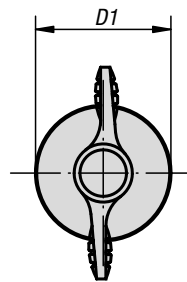
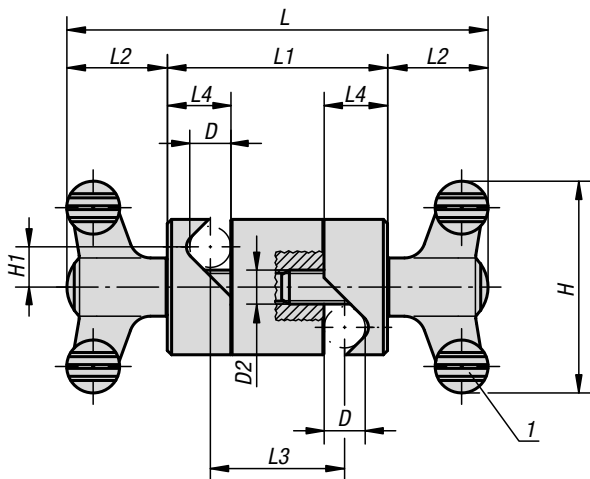


Clamping joints

individually adjustable



Material:

Wing grip:
grip black grey thermoplastic.
Screw steel 5.8.
Remaining components:
high-strength aluminium.

Version:

Steel parts trivalent blue-passivated.
Aluminium nickel silver anodised.

Sample order:

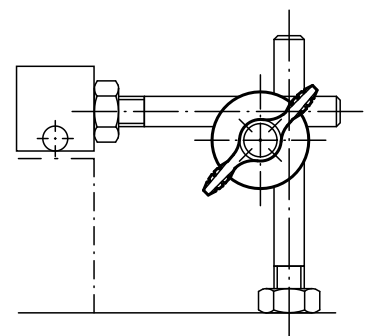
K0134.02

Note:

Clamping joints are used to clamp round cross sections (bars, tubes, etc.) and are individually and infinitely adjustable. The simple design together with the wing grip permits rapid clamping.

Drawing reference:

1) wing grip



KIPP Clamping joints individually adjustable

Order No.	D	D1	D2	H	H1	L	L1	L2	L3	L4
K0134.01	8	28	M8	50	8,5	90	42	24	24	13
K0134.02	10	32	M8	50	9,5	100	52	24	32	15
K0134.03	12	36	M8	50	10,5	104	56	24	34	17
K0134.04	16	45	M10	75	13,5	143,2	72	35,6	44	22
K0134.05	20	74	M10	75	22	173,2	102	35,6	62	30