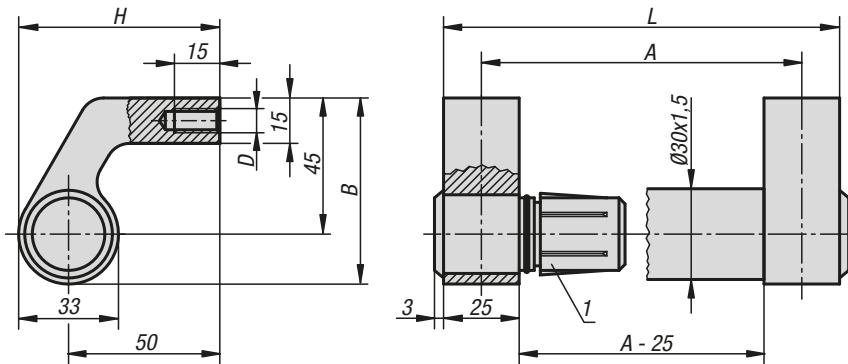


Tubular handles

angled



Material:

Legs EN AW-6060 extruded.
Grip inserts glass-bead reinforced thermoplastic.
Grip EN AW-6060.

Version:

Legs matt-gloss black anodised.
Grip insert black.
Grip fine ground and anodised, powder-coated or with serrated black plastic sleeve.

Sample order:

K0132.3001

Note:

The push-fit handle system shown here can be supplied as complete handles or as pre-assembled legs and grip inserts for mounting custom length grip tubes. The connection between leg and grip tube is splash-proof and absolutely tight.

Assembly:

From the rear.

On request:

Supports for larger tube lengths.

Drawing reference:

1) grip insert

KIPP Tubular handles angled

Order No. natural anodized	Order No. black anodised	Order No. black powder-coated	Order No. black plastic ribbed	A	B	D	H	L	Load capacity N
K0132.2001	K0132.2002	K0132.2003	K0132.2004	200	61,5	M8	66,5	225	1000
K0132.2501	K0132.2502	K0132.2503	K0132.2504	250	61,5	M8	66,5	275	1000
K0132.3001	K0132.3002	K0132.3003	K0132.3004	300	61,5	M8	66,5	325	1000
K0132.3501	K0132.3502	K0132.3503	K0132.3504	350	61,5	M8	66,5	375	1000
K0132.4001	K0132.4002	K0132.4003	K0132.4004	400	61,5	M8	66,5	425	1000
K0132.5001	K0132.5002	K0132.5003	K0132.5004	500	61,5	M8	66,5	525	1000
K0132.6001	K0132.6002	K0132.6003	K0132.6004	600	61,5	M8	66,5	625	1000