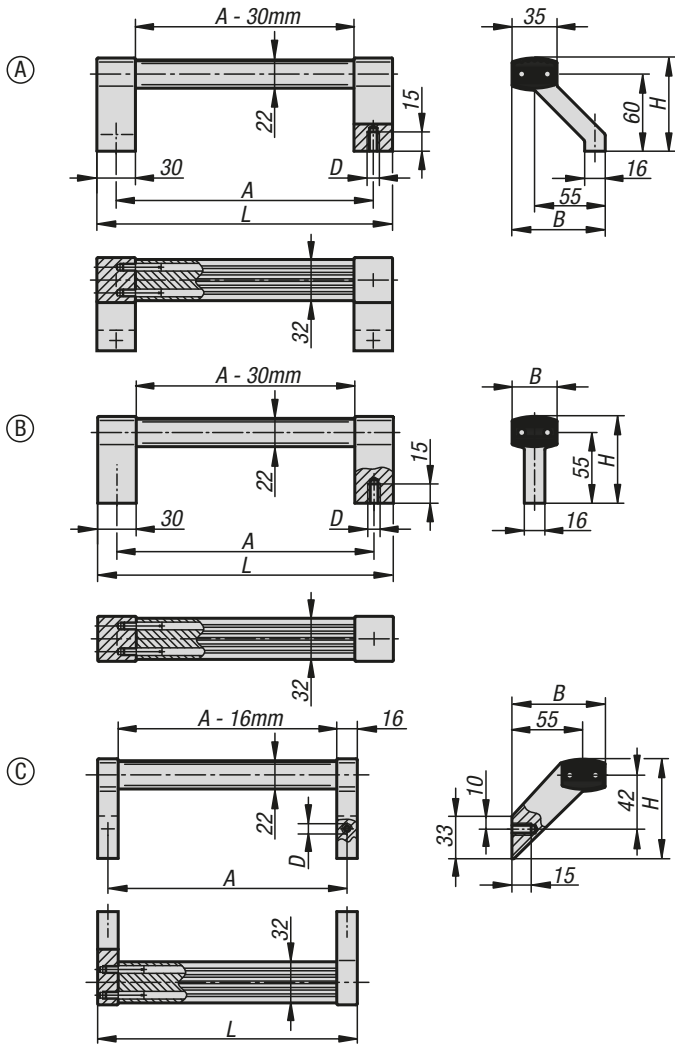


Tubular handles



Material:

Legs and grip aluminium profile EN AW-6060.
Connecting pins stainless steel.

Version:

Legs glass-bead blasted and semi-matt black anodised.
Grip brushed and natural colour anodised, black anodised or titanium colour powder-coated.

Sample order:

K0131.2000811

Note:

These tubular handles are characterised by robust construction and high load rating.
M8x16 hexagon head DIN 933 electro zinc-plated screws and DIN EN ISO 7089 electro zinc-plated washers are included.

Assembly:

From the rear.

KIPP Tubular handles, Form A

Order No. grip black anodized	Order No. grip titanium coloured powder-coated	Order No. grip natural colour anodized	A	B	D	H	L	Load capacity N
K0131.2000811	K0131.2000812	K0131.2000813	200	72,5	M8	72,5	230	1000
K0131.3000811	K0131.3000812	K0131.3000813	300	72,5	M8	72,5	330	1000
K0131.4000811	K0131.4000812	K0131.4000813	400	72,5	M8	72,5	430	1000
K0131.5000811	K0131.5000812	K0131.5000813	500	72,5	M8	72,5	530	1000

KIPP Tubular handles, Form B

Order No. grip black anodized	Order No. grip titanium coloured powder-coated	Order No. grip natural colour anodized	A	B	D	H	L	Load capacity N
K0131.2000821	K0131.2000822	K0131.2000823	200	35	M8	67,5	230	1000
K0131.3000821	K0131.3000822	K0131.3000823	300	35	M8	67,5	330	1000
K0131.4000821	K0131.4000822	K0131.4000823	400	35	M8	67,5	430	1000
K0131.5000821	K0131.5000822	K0131.5000823	500	35	M8	67,5	530	1000

KIPP Tubular handles, Form C

Order No. grip black anodized	Order No. grip titanium coloured powder-coated	Order No. grip natural colour anodized	A	B	D	H	L	Load capacity N
K0131.2000831	K0131.2000832	K0131.2000833	200	72,5	M8	77,5	216	1000
K0131.3000831	K0131.3000832	K0131.3000833	300	72,5	M8	77,5	316	1000
K0131.4000831	K0131.4000832	K0131.4000833	400	72,5	M8	77,5	416	1000
K0131.5000831	K0131.5000832	K0131.5000833	500	72,5	M8	77,5	516	1000