

Tension levers flat

internal thread, stainless steel

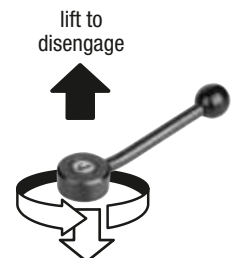
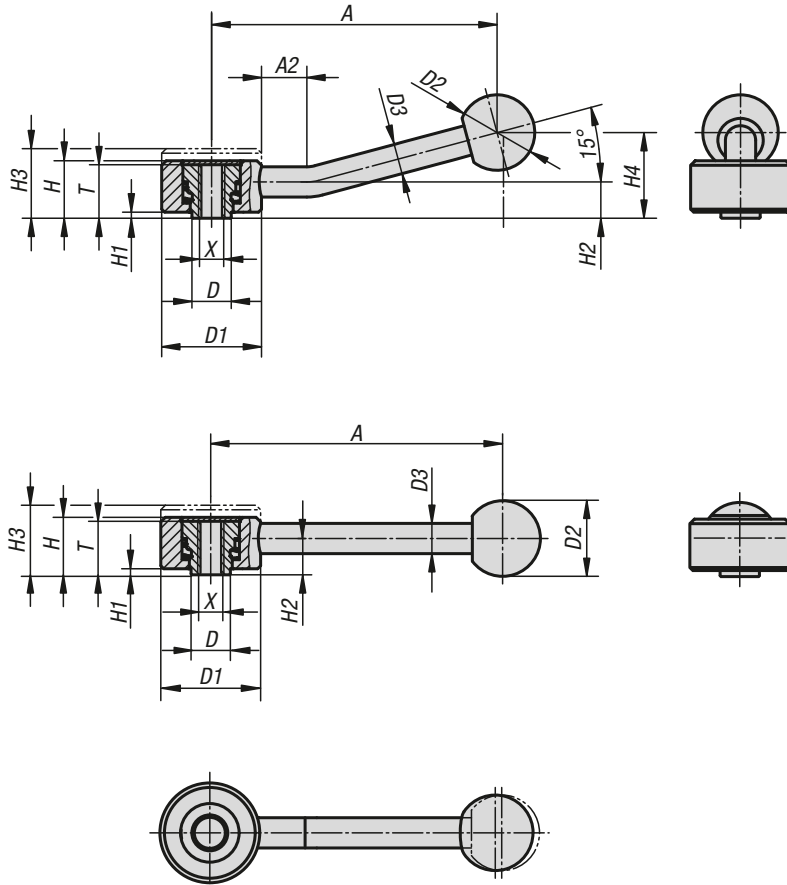


Material:
Steel parts stainless steel 1.4305.
Ball knob black plastic.

Version:
Steel parts bright.

Sample order:
K0129.1081

On request:
Other threads and special versions.
Dimensions "H1" and "A" available in other lengths at extra charge.



KIPP Tension levers, flat, internal thread, stainless steel

Order No. 0°	Order No. 15°	X	A=Handle length	A2	D	D1	D2	D3	H	H1	H2	H3	H4	No. of teeth	T
K0129.1081	K0129.1082	M8	102/100	-/15	13,5	33	25	10	19	2	12	23	-/29	26	18
K0129.2101	K0129.2102	M10	131/127	-/15	19	41	30	12	22	2	13,5	26	-/38	30	21
K0129.2121	K0129.2122	M12	131/127	-/15	19	41	30	12	22	2	13,5	26	-/38	30	21
K0129.3161	K0129.3162	M16	148/145	-/15	23	45	37	14	28	2	17	33	-/48	36	27

Tension levers flat

external thread, stainless steel



Material:

Steel parts stainless steel 1.4305.
Ball knob black plastic.

Version:

Steel parts bright.

Sample order:

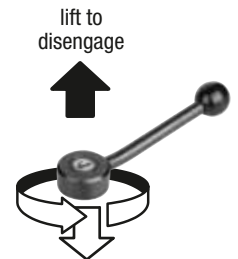
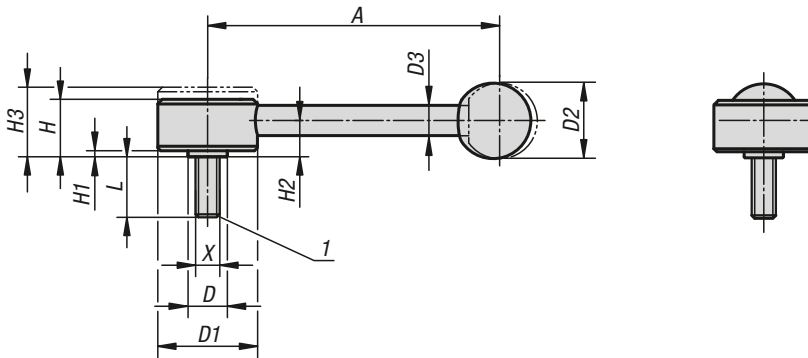
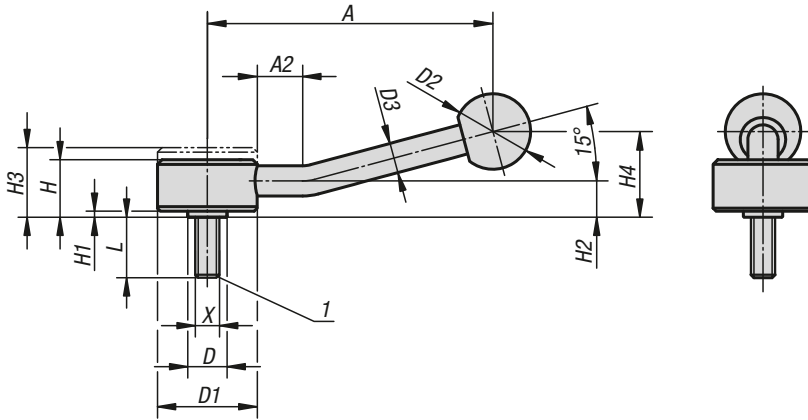
K0129.1081X40 (include length L)

On request:

Other threads, screw lengths and special versions.
Dimensions "H1" and "A" available in other lengths at extra charge.

Drawing reference:

1) flat point DIN EN ISO 4753



KIPP Tension levers flat, external thread, stainless steel

Order No. 0°	Order No. 15°	X	A=Handle length	A2	D	D1	D2	D3	H	H1	H2	H3	H4	L	No. of teeth
K0129.1081X	K0129.1082X	M8	102/100	-/15	13,5	33	25	10	19	2	12	23	-/29	30/40/50	26
K0129.2101X	K0129.2102X	M10	131/127	-/15	19	41	30	12	22	2	13,5	26	-/38	30/40/50/60	30
K0129.2121X	K0129.2122X	M12	131/127	-/15	19	41	30	12	22	2	13,5	26	-/38	30/40/50/60	30
K0129.3161X	K0129.3162X	M16	148/145	-/15	23	45	37	14	28	2	17	33	-/48	40/50/60	36