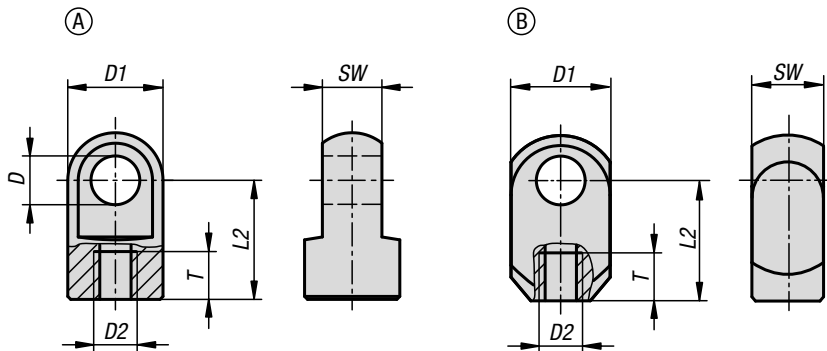


## Rod-end eyes



**Material:**  
Steel or 1.4305 stainless steel

**Version:**  
Steel electro zinc-plated.  
Stainless steel bright.

**Sample order:**  
K0127.03504111

**Note:**  
With internal thread.

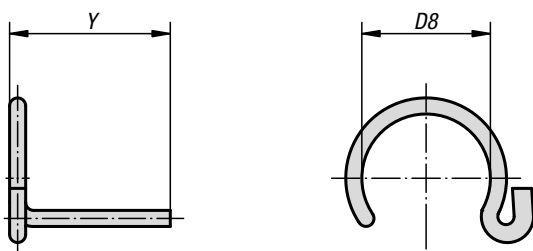
### KIPP Rod-end eyes

Order No. steel	Order No. stainless steel	Form	D	D1	D2	L2	SW	T
K0127.03504111	-	A	4,1	8	M3,5	11	4	6
K0127.0506116	K0127.05061161	A	6,1	10	M5	16	6	8
K0127.0508116	-	B	8,1	15	M5	16	10	8
K0127.0808119	K0127.08081191	A	8,1	14	M8	19	10	11
K0127.1008127	K0127.10081271	A	8,1	18	M10	27	10	12

# K0714

## Circlips for ball seats

DIN 71805



**Material:**  
Spring steel

**Version:**  
Trivalent passivated.

**Sample order:**  
K0714.08

**Note:**  
For DIN 71805 ball seats.

### KIPP Circlips for ball seats DIN 71805

Order No.	D8	Y	Suitable for ball sockets with D1
K0714.08	7	12	8
K0714.10	8,7	12,5	10
K0714.13	11	15,7	13
K0714.16	13	19	16
K0714.19	20	24	19