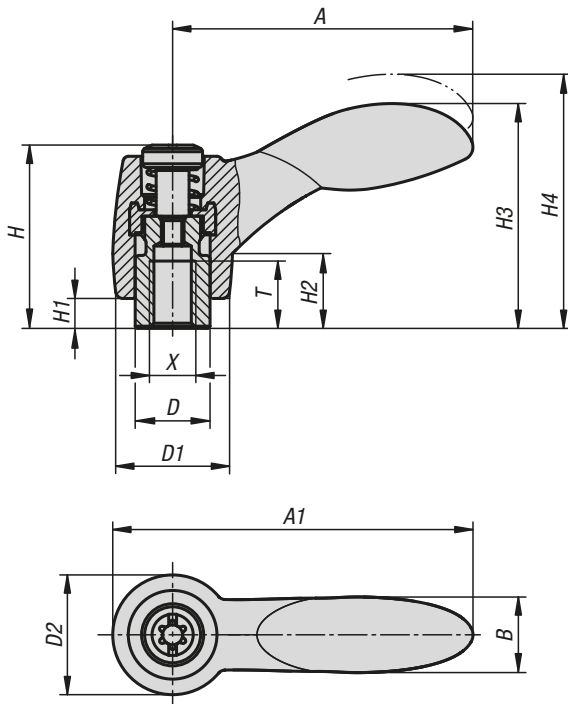


Clamping levers 2K

internal thread, metal parts stainless steel



Material:

Handle:

Hard component in glass-fibre-reinforced plastic with toothed wheel in die cast zinc.

Soft component: Thermoflex based on SEBS.

Steel parts:

Stainless steel, 1.4305.

Version:

Steel parts bright.

Sample order:

K0126.10401

Note:

The hard and soft components are supplied in black grey RAL 7021 as standard.

On request:

Other internal threads, colour combinations and special versions.

Dimension "H1" available in other lengths on request at extra charge.



lift to disengage

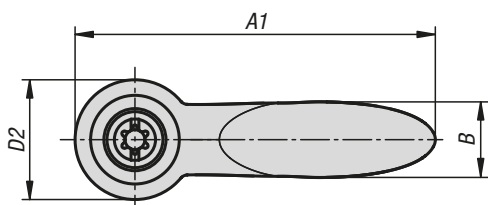
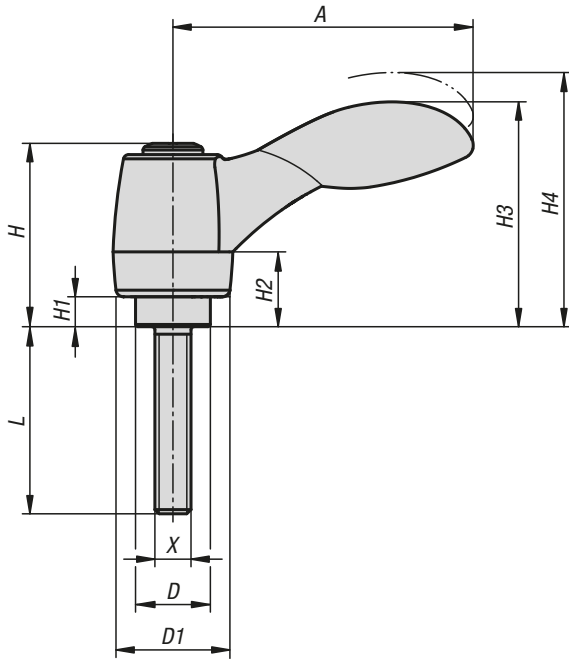


KIPP Clamping levers 2K with internal thread, metal parts stainless steel

| Order No. | Component material | X | T | D | D1 | D2 | H | H1 | H2 | H3 | H4 | A | A1 | B | No. of teeth |
|-------------|--------------------|-----|----|------|------|----|------|-----|------|------|------|------|------|------|--------------|
| K0126.10401 | stainless steel | M4 | 9 | 10 | 15 | 16 | 24,5 | 4 | 10 | 30 | 33,5 | 40,1 | 48,1 | 10,1 | 16 |
| K0126.10501 | stainless steel | M5 | 9 | 10 | 15 | 16 | 24,5 | 4 | 10 | 30 | 33,5 | 40,1 | 48,1 | 10,1 | 16 |
| K0126.10601 | stainless steel | M6 | 9 | 10 | 15 | 16 | 24,5 | 4 | 10 | 30 | 33,5 | 40,1 | 48,1 | 10,1 | 16 |
| K0126.20601 | stainless steel | M6 | 12 | 13,5 | 17,5 | 19 | 28,5 | 6,5 | 12,5 | 41,2 | 45,2 | 64,9 | 74,4 | 17,6 | 20 |
| K0126.20801 | stainless steel | M8 | 12 | 13,5 | 17,5 | 19 | 28,5 | 6,5 | 12,5 | 41,2 | 45,2 | 64,9 | 74,4 | 17,6 | 20 |
| K0126.30801 | stainless steel | M8 | 14 | 16 | 21 | 22 | 37 | 10 | 17 | 51,6 | 56,1 | 80,2 | 91,2 | 20,7 | 22 |
| K0126.31001 | stainless steel | M10 | 14 | 16 | 21 | 22 | 37 | 10 | 17 | 51,6 | 56,1 | 80,2 | 91,2 | 20,7 | 22 |

Clamping levers 2K

external thread, metal parts stainless steel



Material:

Handle:

Hard component in glass-fibre-reinforced plastic with toothed wheel in die cast zinc.

Soft component: Thermoflex based on SEBS.

Steel parts:

Stainless steel, 1.4305.

Version:

Steel parts bright.

Sample order:

K0126.10501X10 (include length L)

Note:

The hard and soft components are supplied in black grey RAL 7021 as standard.

Where $L \geq 60$ mm the thread length is always 60 mm.

On request:

Other external threads, screw lengths, colour combinations and special versions.

Dimension "H1" available in other lengths at extra charge.



KIPP Clamping levers 2K with external thread, metal parts stainless steel

| Order No. | X | D | D1 | D2 | H | H1 | H2 | H3 | H4 | A | A1 | B | No. of teeth | L |
|--------------|-----|------|------|----|------|-----|------|------|------|------|------|------|--------------|----------------------|
| K0126.10501X | M5 | 10 | 15 | 16 | 24,5 | 4 | 10 | 30 | 33,5 | 40,1 | 48,1 | 10,1 | 16 | 10/15/20/25 |
| K0126.10601X | M6 | 10 | 15 | 16 | 24,5 | 4 | 10 | 30 | 33,5 | 40,1 | 48,1 | 10,1 | 16 | 10/15/20/25/30/40/50 |
| K0126.20601X | M6 | 13,5 | 17,5 | 19 | 28,5 | 6,5 | 12,5 | 41,2 | 45,2 | 64,9 | 74,4 | 17,6 | 20 | 15/20/25/30/40/50/60 |
| K0126.20801X | M8 | 13,5 | 17,5 | 19 | 28,5 | 6,5 | 12,5 | 41,2 | 45,2 | 64,9 | 74,4 | 17,6 | 20 | 15/20/25/30/40/50/60 |
| K0126.21001X | M10 | 13,5 | 17,5 | 19 | 28,5 | 6,5 | 12,5 | 41,2 | 45,2 | 64,9 | 74,4 | 17,6 | 20 | 20/25/30/40/50/60 |
| K0126.30801X | M8 | 16 | 21 | 22 | 37 | 10 | 17 | 51,6 | 56,1 | 80,2 | 91,2 | 20,7 | 22 | 20/25/30/40/50/60 |
| K0126.31001X | M10 | 16 | 21 | 22 | 37 | 10 | 17 | 51,6 | 56,1 | 80,2 | 91,2 | 20,7 | 22 | 20/25/30/40/50/60 |