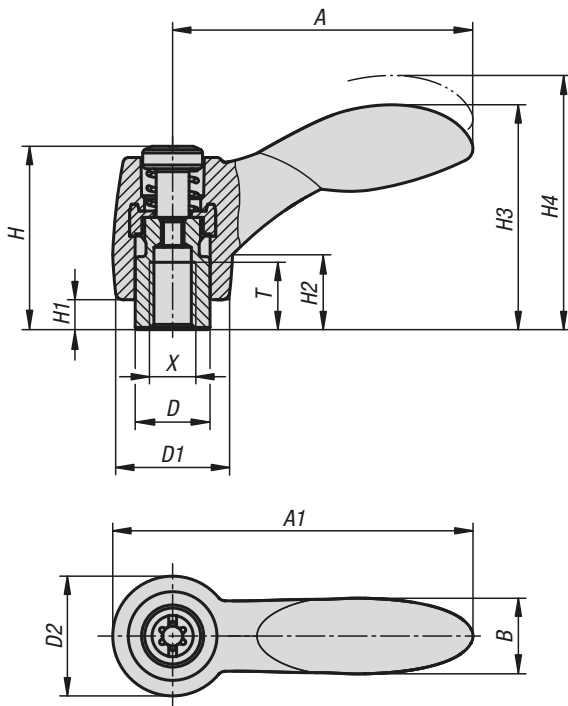


## Clamping levers 2K

internal thread



**Material:**

Handle:

Hard component fibreglass reinforced plastic with die-cast zinc toothed ring.

Soft component Thermoflex based on SEBS.

Steel parts: grade 5.8.

**Version:**

Steel parts black oxidised.

**Sample order:**

K0125.10401

**Note:**

The hard and soft components are supplied in black grey RAL 7021 as standard.

**On request:**

Other internal threads, colour combinations and special versions.

Dimension "H1" available in other lengths on request at extra charge.

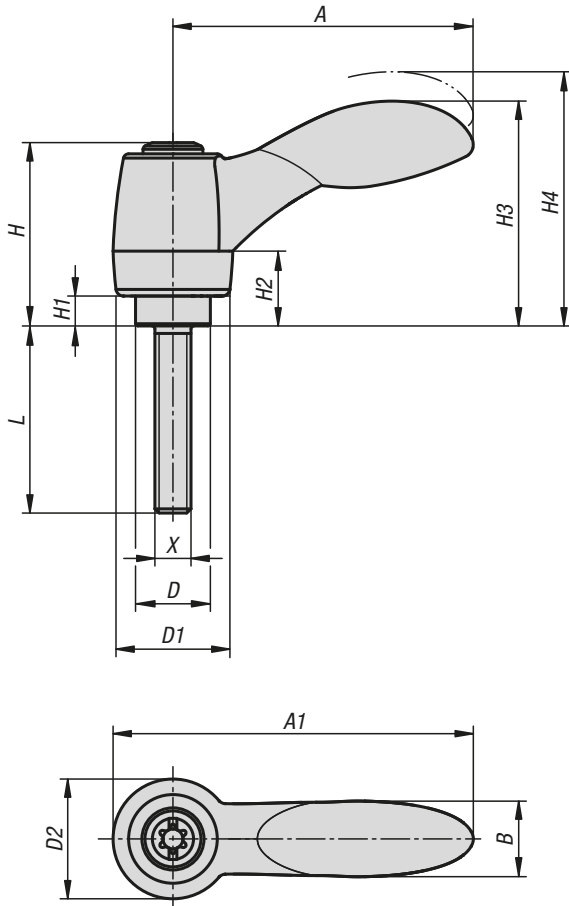


**KIPP Clamping levers 2K with internal thread**

Order No.	Component material	X	T	D	D1	D2	H	H1	H2	H3	H4	A	A1	B	No. of teeth
K0125.10401	steel	M4	9	10	15	16	24,5	4	10	30	33,5	40,1	48,1	10,1	16
K0125.10501	steel	M5	9	10	15	16	24,5	4	10	30	33,5	40,1	48,1	10,1	16
K0125.10601	steel	M6	9	10	15	16	24,5	4	10	30	33,5	40,1	48,1	10,1	16
K0125.20601	steel	M6	12	13,5	17,5	19	28,5	6,5	12,5	41,2	45,2	64,9	74,4	17,6	20
K0125.20801	steel	M8	12	13,5	17,5	19	28,5	6,5	12,5	41,2	45,2	64,9	74,4	17,6	20
K0125.30801	steel	M8	14	16	21	22	37	10	17	51,6	56,1	80,2	91,2	20,7	22
K0125.31001	steel	M10	14	16	21	22	37	10	17	51,6	56,1	80,2	91,2	20,7	22

## Clamping levers 2K

external thread



### Material:

#### Handle:

Hard component fibreglass reinforced plastic with die-cast zinc toothed ring.

Soft component Thermoflex based on SEBS.

Steel parts:  
grade 5.8.

### Version:

Steel parts black oxidised.

### Sample order:

K0125.10501X10 (include length L)

### Note:

The hard and soft components are supplied in black grey RAL 7021 as standard.

Where  $L \geq 60$  mm the thread length is always 60 mm.

### On request:

Other external threads, screw lengths, colour combinations and special versions.

Dimension "H1" available in other lengths on request at extra charge.



### KIPP Clamping levers 2K with external thread

Order No.	X	D	D1	D2	H	H1	H2	H3	H4	A	A1	B	No. of teeth	L
K0125.10501X	M5	10	15	16	24,5	4	10	30	33,5	40,1	48,1	10,1	16	10/15/20/25/30/35/40/45/50
K0125.10601X	M6	10	15	16	24,5	4	10	30	33,5	40,1	48,1	10,1	16	10/15/20/25/30/35/40/45/50
K0125.20601X	M6	13,5	17,5	19	28,5	6,5	12,5	41,2	45,2	64,9	74,4	17,6	20	15/20/25/30/35/40/45/50/55/60
K0125.20801X	M8	13,5	17,5	19	28,5	6,5	12,5	41,2	45,2	64,9	74,4	17,6	20	15/20/25/30/35/40/45/50/55/60
K0125.21001X	M10	13,5	17,5	19	28,5	6,5	12,5	41,2	45,2	64,9	74,4	17,6	20	15/20/25/30/35/40/45/50/55/60
K0125.30801X	M8	16	21	22	37	10	17	51,6	56,1	80,2	91,2	20,7	22	15/20/25/30/35/40/45/50/55/60
K0125.31001X	M10	16	21	22	37	10	17	51,6	56,1	80,2	91,2	20,7	22	15/20/25/30/35/40/45/50/55/60