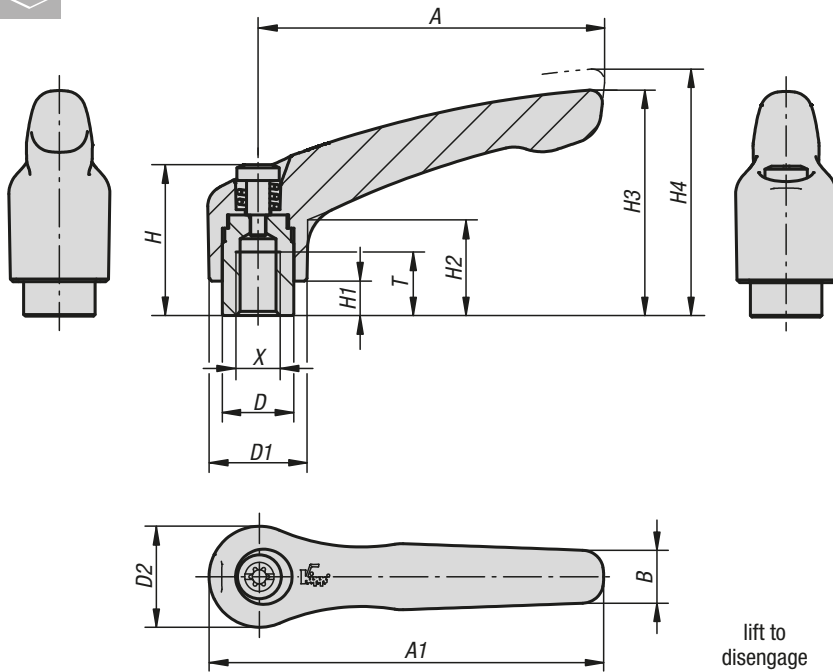


Clamping levers

internal thread, stainless steel



Material:

Handle investment cast 1.4308.

Other steel parts 1.4305.

Version:

Handle electropolished or blasted.

Metal parts bright.

Sample order:

K0124.105

On request:

Other threads and special versions.

Dimension "H1" available in other lengths at extra charge.

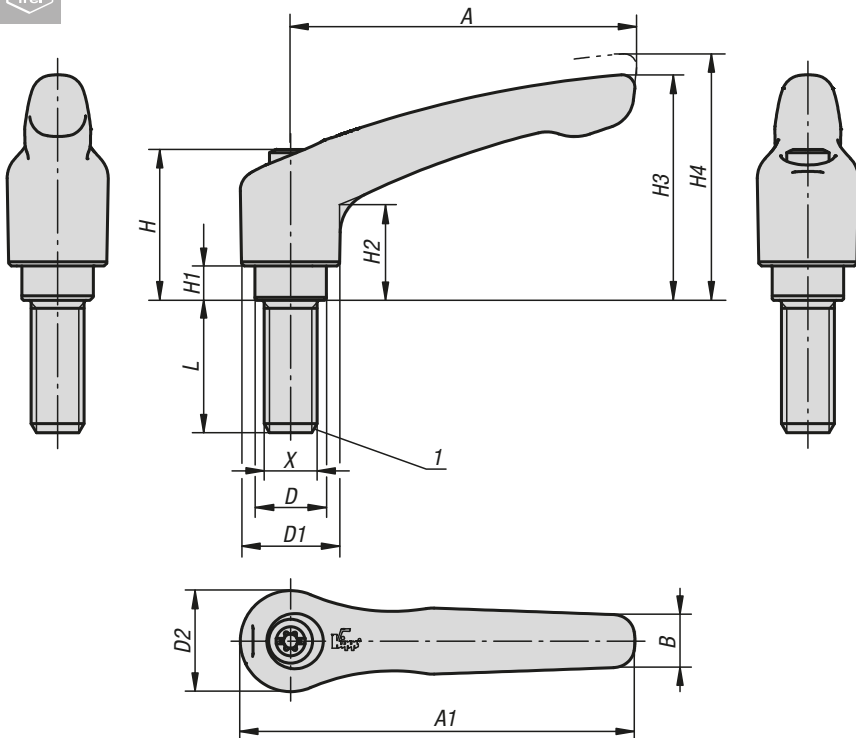


KIPP Clamping levers with internal thread, stainless steel

Order No.	Main colour	X	A	A1	B	D	D1	D2	H	H1	H2	H3	H4	T	No. of teeth
K0124.104	electropolished	M4	40	47	7	10	13	14	24,5	4	14,5	31	34	9	16
K0124.105	electropolished	M5	40	47	7	10	13	14	24,5	4	14,5	31	34	9	16
K0124.106	electropolished	M6	40	47	7	10	13	14	24,5	4	14,5	31	34	9	16
K0124.206	electropolished	M6	65	74,5	10	13,5	18,5	19	28,5	6,5	17,5	42,5	45,5	12	20
K0124.208	electropolished	M8	65	74,5	10	13,5	18,5	19	28,5	6,5	17,5	42,5	45,5	12	20
K0124.308	electropolished	M8	80	91	11	16	21	22	37	10	24	54,5	58,5	14	22
K0124.310	electropolished	M10	80	91	11	16	21	22	37	10	24	54,5	58,5	14	22
K0124.410	electropolished	M10	95	109	13	19	27	27,5	43	10	27	63	67,5	17	24
K0124.412	electropolished	M12	95	109	13	19	27	27,5	43	10	27	63	67,5	17	24
K0124.512	electropolished	M12	110	126	15	23	31	32	49	12	31,5	73	77,5	23	26
K0124.516	electropolished	M16	110	126	15	23	31	32	49	12	31,5	73	77,5	23	26
K0124.104153	blasted	M4	40	47	7	10	13	14	24,5	4	14,5	31	34	9	16
K0124.105153	blasted	M5	40	47	7	10	13	14	24,5	4	14,5	31	34	9	16
K0124.106153	blasted	M6	40	47	7	10	13	14	24,5	4	14,5	31	34	9	16
K0124.206153	blasted	M6	65	74,5	10	13,5	18,5	19	28,5	6,5	17,5	42,5	45,5	12	20
K0124.208153	blasted	M8	65	74,5	10	13,5	18,5	19	28,5	6,5	17,5	42,5	45,5	12	20
K0124.308153	blasted	M8	80	91	11	16	21	22	37	10	24	54,5	58,5	14	22
K0124.310153	blasted	M10	80	91	11	16	21	22	37	10	24	54,5	58,5	14	22
K0124.410153	blasted	M10	95	109	13	19	27	27,5	43	10	27	63	67,5	17	24
K0124.412153	blasted	M12	95	109	13	19	27	27,5	43	10	27	63	67,5	17	24
K0124.512153	blasted	M12	110	126	15	23	31	32	49	12	31,5	73	77,5	23	26
K0124.516153	blasted	M16	110	126	15	23	31	32	49	12	31,5	73	77,5	23	26

Clamping levers

external thread, stainless steel



Material:
Handle investment cast 1.4308.
Other steel parts 1.4305.

Version:
Handle electropolished or blasted.
Metal parts bright.

Sample order:
K0124.105X10 (include length L)

Note:
Where L ≥ 60 mm the thread length is always 60 mm.

On request:
Other threads, screw lengths and special versions.
Dimension "H1" available in other lengths at extra charge.

Drawing reference:
1) flat point DIN EN ISO 4753

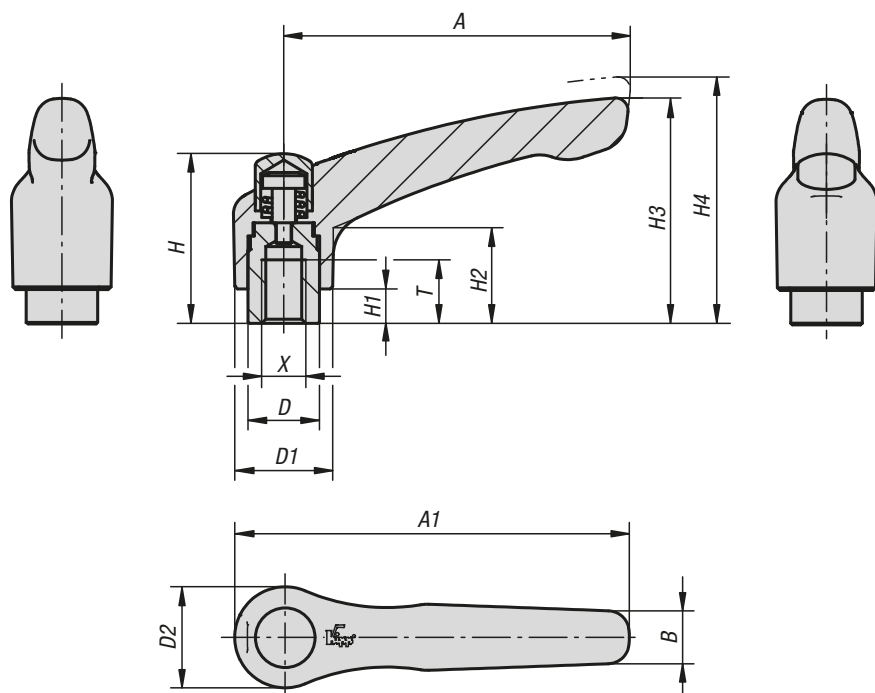


KIPP Clamping levers with external thread, stainless steel

Order No.	Main colour	X	A	A1	B	D	D1	D2	H	H1	H2	H3	H4	No. of teeth	L
K0124.105X	electropolished	M5	40	47	7	10	13	14	24,5	4	14,5	31	34	16	10/15/20/25
K0124.106X	electropolished	M6	40	47	7	10	13	14	24,5	4	14,5	31	34	16	10/15/20/25/30/40/50
K0124.206X	electropolished	M6	65	74,5	10	13,5	18,5	19	28,5	6,5	17,5	42,5	45,5	20	15/20/25/30/40/50/60
K0124.208X	electropolished	M8	65	74,5	10	13,5	18,5	19	28,5	6,5	17,5	42,5	45,5	20	15/20/25/30/40/50/60
K0124.210X	electropolished	M10	65	74,5	10	13,5	18,5	19	28,5	6,5	17,5	42,5	45,5	20	20/25/30/40/50/60
K0124.308X	electropolished	M8	80	91	11	16	21	22	37	10	24	54,5	58,5	22	20/25/30/40/50/60
K0124.310X	electropolished	M10	80	91	11	16	21	22	37	10	24	54,5	58,5	22	20/25/30/40/50/60
K0124.412X	electropolished	M12	95	109	13	19	27	27,5	43	10	27	63	67,5	24	25/30/40/50/60
K0124.516X	electropolished	M16	110	126	15	23	31	32	49	12	31,5	73	77,5	26	30/40/50/60
K0124.105153X	blasted	M5	40	47	7	10	13	14	24,5	4	14,5	31	34	16	10/15/20/25
K0124.106153X	blasted	M6	40	47	7	10	13	14	24,5	4	14,5	31	34	16	10/15/20/25/30/40/50
K0124.206153X	blasted	M6	65	74,5	10	13,5	18,5	19	28,5	6,5	17,5	42,5	45,5	20	15/20/25/30/40/50/60
K0124.208153X	blasted	M8	65	74,5	10	13,5	18,5	19	28,5	6,5	17,5	42,5	45,5	20	15/20/25/30/40/50/60
K0124.210153X	blasted	M10	65	74,5	10	13,5	18,5	19	28,5	6,5	17,5	42,5	45,5	20	20/25/30/40/50/60
K0124.308153X	blasted	M8	80	91	11	16	21	22	37	10	24	54,5	58,5	22	20/25/30/40/50/60
K0124.310153X	blasted	M10	80	91	11	16	21	22	37	10	24	54,5	58,5	22	20/25/30/40/50/60
K0124.412153X	blasted	M12	95	109	13	19	27	27,5	43	10	27	63	67,5	24	25/30/40/50/60
K0124.516153X	blasted	M16	110	126	15	23	31	32	49	12	31,5	73	77,5	26	30/40/50/60

Clamping levers with protective cap

internal thread, stainless steel



Material:

Handle investment cast 1.4308.
Other steel parts 1.4305.

Version:

Handle electropolished.
Steel parts bright.

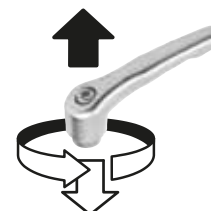
Sample order:

K0124.9208

On request:

Other threads and special versions.
Dimension "H1" available in other lengths at extra charge.

lift to disengage



KIPP Clamping levers with protective cap, internal thread, stainless steel

Order No.	X	A	A1	B	D	D1	D2	H	H1	H2	H3	H4	T	No. of teeth
K0124.9206	M6	65	74,5	10	13,5	18,5	19	32	6,5	17,5	42,5	45,5	12	20
K0124.9208	M8	65	74,5	10	13,5	18,5	19	32	6,5	17,5	42,5	45,5	12	20
K0124.9308	M8	80	91	11	16	21	22	41,5	10	24	54,5	58,5	14	22
K0124.9310	M10	80	91	11	16	21	22	41,5	10	24	54,5	58,5	14	22

Clamping levers with protective cap

external thread, stainless steel



Material:

Handle investment cast 1.4308.
Other steel parts 1.4305.

Version:

Handle electropolished.
Steel parts bright.

Sample order:

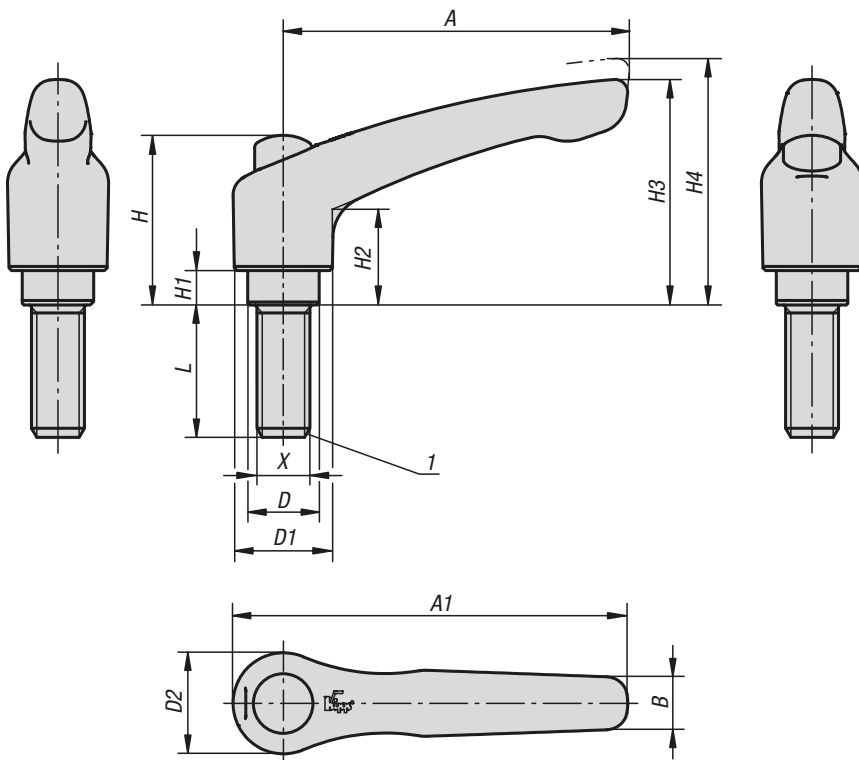
K0124.9208X30 (include length L)

On request:

Other threads, screw lengths and special versions.
Dimension "H1" available in other lengths at extra charge.

Drawing reference:

1) flat point DIN EN ISO 4753



KIPP Clamping levers with protective cap, external thread, stainless steel

Order No.	X	A	A1	B	D	D1	D2	H	H1	H2	H3	H4	No. of teeth	L
K0124.9206X	M6	65	74,5	10	13,5	18,5	19	32	6,5	17,5	42,5	45,5	20	15/20/25/30/40/50/60
K0124.9208X	M8	65	74,5	10	13,5	18,5	19	32	6,5	17,5	42,5	45,5	20	15/20/25/30/40/50/60
K0124.9210X	M10	65	74,5	10	13,5	18,5	19	32	6,5	17,5	42,5	45,5	20	20/25/30/40/50/60
K0124.9308X	M8	80	91	11	16	21	22	41,5	10	24	54,5	58,5	22	20/25/30/40/50/60
K0124.9310X	M10	80	91	11	16	21	22	41,5	10	24	54,5	58,5	22	20/25/30/40/50/60