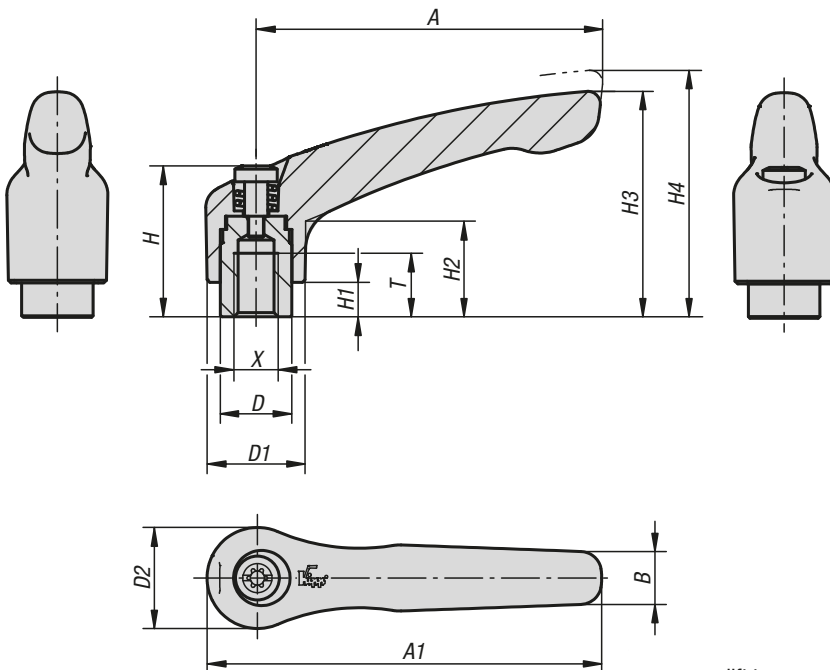


Clamping levers

internal thread, steel parts stainless steel



Material:
Handle die-cast zinc DIN EN 12844.
Steel parts stainless steel 1.4305.

Version:
Handle powder-coated or high-gloss chromed.
Steel parts bright.

Sample order:
K0123.1051 (clamping lever, black satin finish)

Note:
Δ Add the desired lever colour here.
Standard colours are:
black satin finish, orange RAL 2004, ruby red RAL 3003, silver metallic, high gloss chromed.

On request:
Other threads, colours and special versions.
Dimension "H1" available in other lengths at extra charge.

lift to disengage

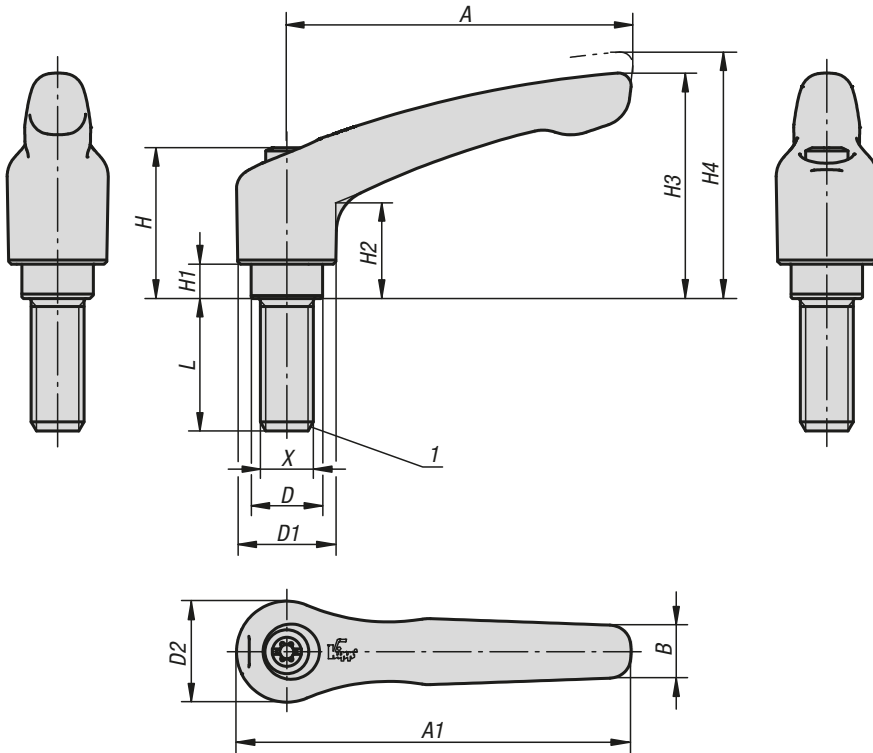


KIPP Clamping levers with internal thread, steel parts stainless steel

Order No.	X	A	A1	B	D	D1	D2	H	H1	H2	H3	H4	T	No. of teeth
K0123.003Δ	M3	30	37	7	10	13	14	24,5	4	14,5	30	33	9	16
K0123.004Δ	M4	30	37	7	10	13	14	24,5	4	14,5	30	33	9	16
K0123.005Δ	M5	30	37	7	10	13	14	24,5	4	14,5	30	33	9	16
K0123.104Δ	M4	40	47	7	10	13	14	24,5	4	14,5	31	34	9	16
K0123.105Δ	M5	40	47	7	10	13	14	24,5	4	14,5	31	34	9	16
K0123.106Δ	M6	40	47	7	10	13	14	24,5	4	14,5	31	34	9	16
K0123.206Δ	M6	65	74,5	9,5	13,5	18,5	19	28,5	6,5	17,5	42,5	45,5	12	20
K0123.208Δ	M8	65	74,5	9,5	13,5	18,5	19	28,5	6,5	17,5	42,5	45,5	12	20
K0123.308Δ	M8	80	91	11	16	21	22	37	10	24	54,5	58,5	14	22
K0123.310Δ	M10	80	91	11	16	21	22	37	10	24	54,5	58,5	14	22
K0123.410Δ	M10	95	109	13	19	27	27,5	43	10	27	63	67,5	17	24
K0123.412Δ	M12	95	109	13	19	27	27,5	43	10	27	63	67,5	17	24
K0123.512Δ	M12	110	126	15	23	31	32	49	12	31,5	73	77,5	23	26
K0123.516Δ	M16	110	126	15	23	31	32	49	12	31,5	73	77,5	23	26

Clamping levers

external thread, steel parts stainless steel



Material:

Handle die-cast zinc DIN EN 12844.
Steel parts stainless steel 1.4305.

Version:

Handle powder-coated or high-gloss chromed.
Steel parts bright.

Sample order:

K0123.1051X25 (clamping lever, black satin finish; include length L)

Note:

Δ Add the desired lever colour here.
Standard colours are:
black satin finish, orange RAL 2004, ruby red RAL 3003, silver metallic, high gloss chromed.

Where $L \geq 60$ mm the thread length is 60 mm.

On request:

Other threads, screw lengths, colours and special versions.
Dimension "H1" available in other lengths at extra charge.

Drawing reference:

1) flat point DIN EN ISO 4753

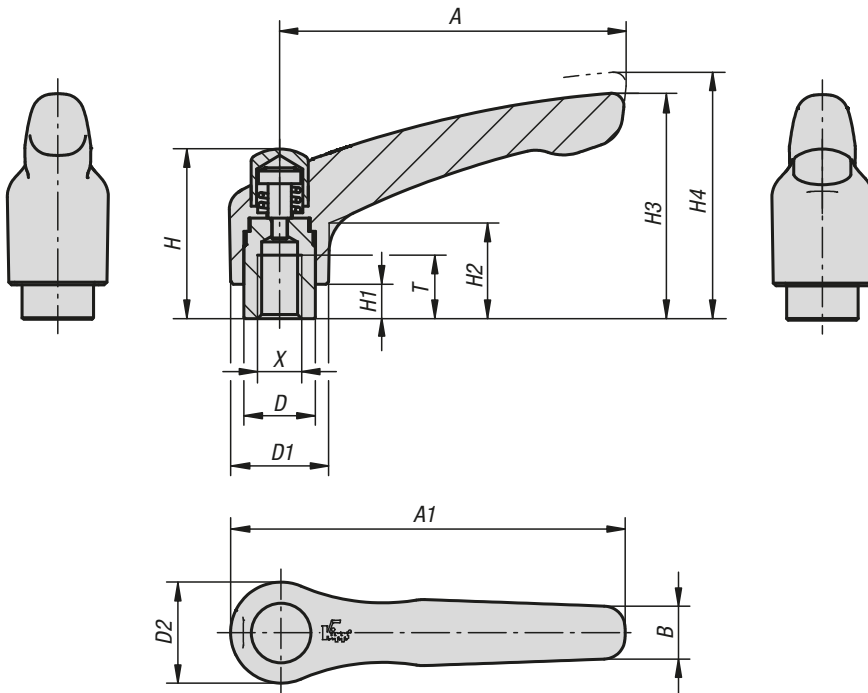


KIPP Clamping levers with external thread, steel parts stainless steel

Order No.	X	A	A1	B	D	D1	D2	H	H1	H2	H3	H4	No. of teeth	L
K0123.004ΔX	M4	30	37	7	10	13	14	24,5	4	14,5	30	33	16	10/15/20/25
K0123.005ΔX	M5	30	37	7	10	13	14	24,5	4	14,5	30	33	16	10/15/20/25
K0123.105ΔX	M5	40	47	7	10	13	14	24,5	4	14,5	31	34	16	10/15/20/25
K0123.106ΔX	M6	40	47	7	10	13	14	24,5	4	14,5	31	34	16	10/15/20/25/30/40/50
K0123.206ΔX	M6	65	74,5	9,5	13,5	18,5	19	28,5	6,5	17,5	42,5	45,5	20	15/20/25/30/40/50/60
K0123.208ΔX	M8	65	74,5	9,5	13,5	18,5	19	28,5	6,5	17,5	42,5	45,5	20	15/20/25/30/40/50/60
K0123.210ΔX	M10	65	74,5	9,5	13,5	18,5	19	28,5	6,5	17,5	42,5	45,5	20	20/25/30/40/50/60
K0123.308ΔX	M8	80	91	11	16	21	22	37	10	24	54,5	58,5	22	20/25/30/40/50/60
K0123.310ΔX	M10	80	91	11	16	21	22	37	10	24	54,5	58,5	22	20/25/30/40/50/60
K0123.412ΔX	M12	95	109	13	19	27	27,5	43	10	27	63	67,5	24	25/30/40/50/60
K0123.516ΔX	M16	110	126	15	23	31	32	49	12	31,5	73	77,5	26	30/40/50/60

Clamping levers with protective cap

internal thread, steel parts stainless steel



Material:

Handle die-cast zinc DIN EN 12844.
Steel parts and cap 1.4305 stainless steel.

Version:

Handle powder-coated.
Steel parts bright.

Sample order:

K0123.92081

Note:

Standard colours are:
black satin finish, orange RAL 2004.

On request:

Other threads, colours and special versions.
Dimension "H1" available in other lengths at extra charge.

lift to
disengage

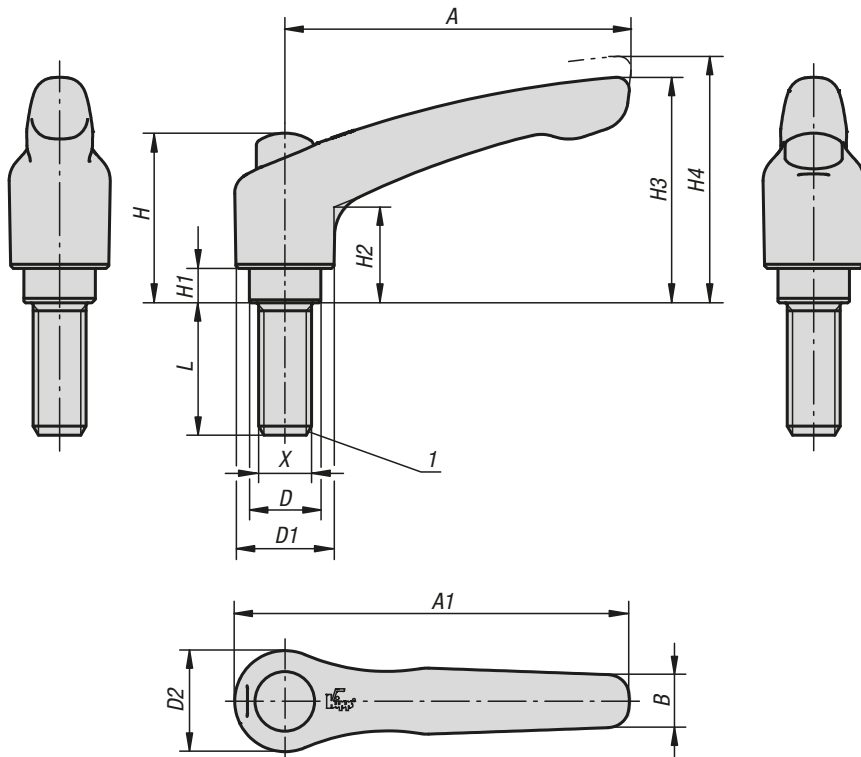


KIPP Clamping levers with protective cap, internal thread, steel parts stainless steel

Order No. black	Order No. orange RAL 2004	X	A	A1	B	D	D1	D2	H	H1	H2	H3	H4	T	No. of teeth
K0123.92061	K0123.92062	M6	65	74,5	9,5	13,5	18,5	19	32	6,5	17,5	42,5	45,5	12	20
K0123.92081	K0123.92082	M8	65	74,5	9,5	13,5	18,5	19	32	6,5	17,5	42,5	45,5	12	20
K0123.93081	K0123.93082	M8	80	91	11	16	21	22	41,5	10	24	54,5	58,5	14	22
K0123.93101	K0123.93102	M10	80	91	11	16	21	22	41,5	10	24	54,5	58,5	14	22

Clamping levers with protective cap

external thread, steel parts stainless steel



Material:

Handle die-cast zinc DIN EN 12844.
Steel parts and cap 1.4305 stainless steel.

Version:

Handle powder-coated.
Steel parts bright.

Sample order:

K0123.92081X30 (include length L)

Note:

Standard colours are:
black satin finish, orange RAL 2004.

Where L is ≥ 60 mm the thread length is 60 mm.

On request:

Other threads, screw lengths, colours and special versions.
Dimension "H1" available in other lengths at extra charge.

Drawing reference:

1) flat point DIN EN ISO 4753

lift to disengage



KIPP Specifications

Size	X	A	A1	B	D	D1	D2	H	H1	H2	H3	H4	No. of teeth
2	M6/M8/M10	65	74,5	9,5	13,5	18,5	19	32	6,5	17,5	42,5	45,5	20
3	M8/M10	80	91	11	16	21	22	41,5	10	24	54,5	58,5	22

KIPP Clamping levers with protective cap, external thread, steel parts stainless steel

Order No. black	Order No. orange RAL 2004	Size	X	L
K0123.92061X	K0123.92062X	2	M6	15/20/25/30/40/50/60
K0123.92081X	K0123.92082X	2	M8	15/20/25/30/40/50/60
K0123.92101X	K0123.92102X	2	M10	20/25/30/40/50/60
K0123.93081X	K0123.93082X	3	M8	20/25/30/40/50/60
K0123.93101X	K0123.93102X	3	M10	20/25/30/40/50/60