

Clamping levers stainless steel

internal thread



Material:

Handle stainless steel 1.4308.
All other metal parts stainless steel 1.4305.

Version:

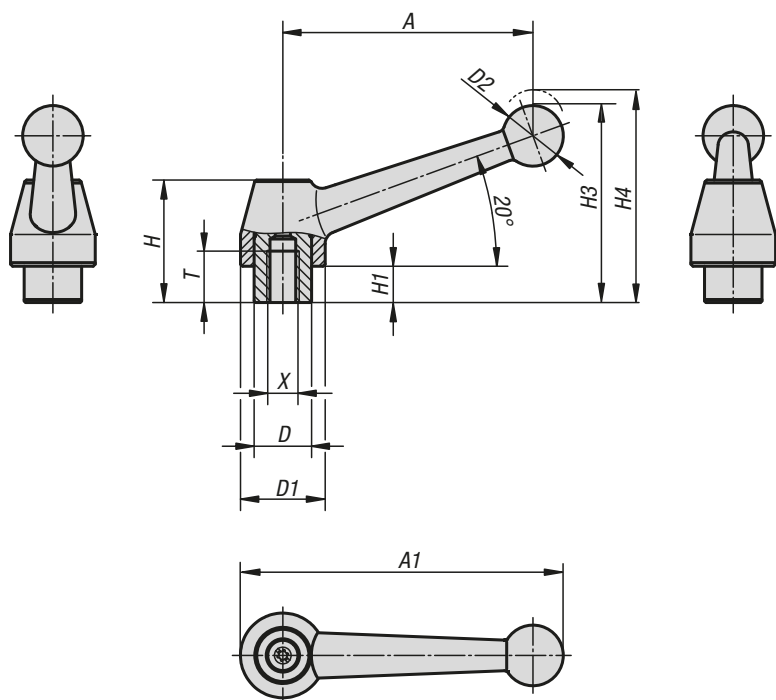
Stainless steel grip electropolished.
Steel parts bright.

Sample order:

K0121.1108

On request:

Other threads and special versions.
Dimension "H1" available in other lengths at extra charge.

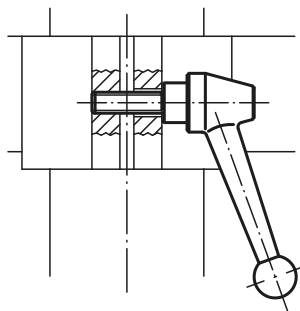
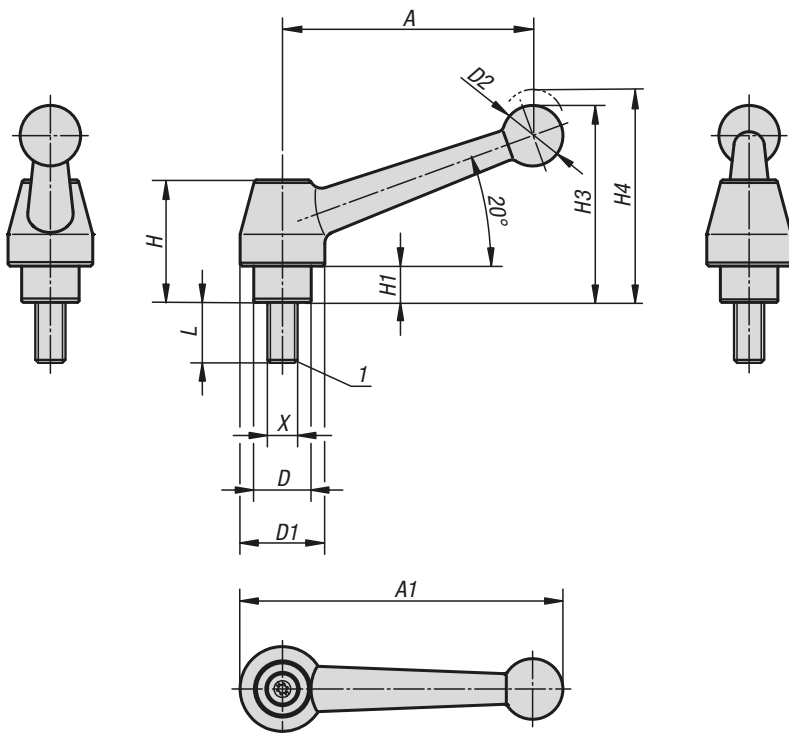


KIPP Clamping levers with internal thread, stainless steel

Order No.	Main material	X	A	A1	T	D	D1	D2	H	H1	H3	H4	No. of teeth
K0121.1108	stainless steel	M8	83	107	17	19	28	20	40,5	12	65	68,5	24
K0121.1110	stainless steel	M10	83	107	17	19	28	20	40,5	12	65	68,5	24
K0121.1112	stainless steel	M12	83	107	17	19	28	20	40,5	12	65	68,5	24

Clamping levers stainless steel

external thread



Material:

Handle stainless steel 1.4308.
All other metal parts stainless steel 1.4305.

Version:

Stainless steel grip electropolished.
Steel parts bright.

Sample order:

K0121.1110X30 (include length L)

Note:

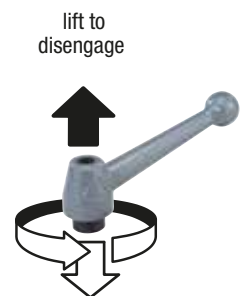
Where $L \geq 60$ mm the thread length is always 60 mm.

On request:

Other threads, screw lengths and special versions.
Dimension "H1" available in other lengths at extra charge.

Drawing reference:

1) flat point DIN EN ISO 4753



KIPP Clamping levers with external thread, stainless steel

Order No.	Main material	X	A	A1	D	D1	D2	H	H1	H3	H4	No. of teeth	L
K0121.1110X	stainless steel	M10	83	107	19	28	20	40,5	12	65	68,5	24	25/30/40/50/60
K0121.1112X	stainless steel	M12	83	107	19	28	20	40,5	12	65	68,5	24	25/30/40/50/60