

Clamping levers steel

internal thread



Material:

Handle steel 1.0401.
All other steel parts grade 5.8.

Version:

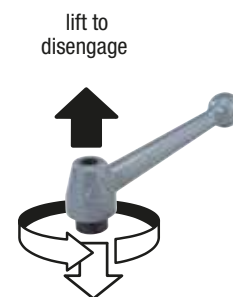
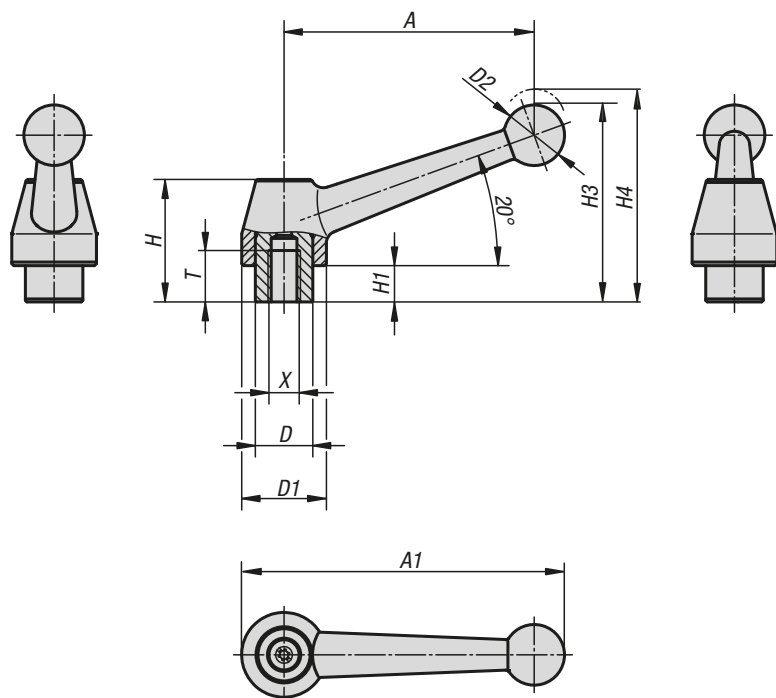
Handle painted silver-grey hammer-tone.
Steel parts black oxidised.

Sample order:

K0120.108

On request:

Other threads and special versions.
Dimension "H1" available in other lengths at extra charge.

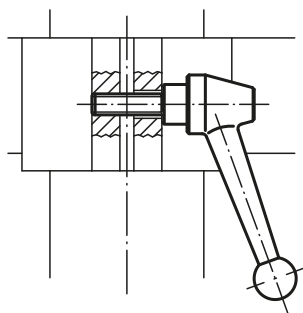
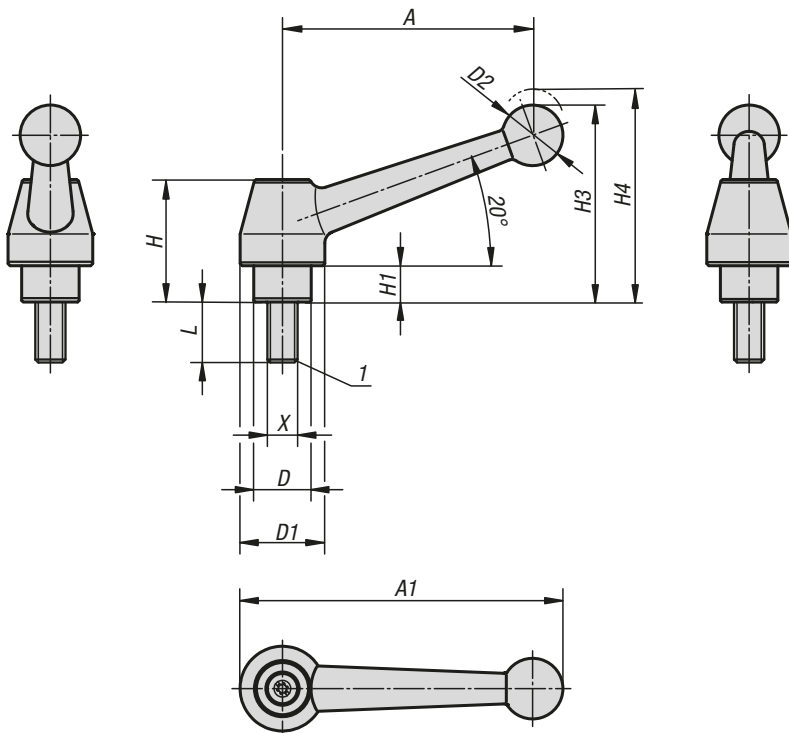


KIPP Clamping levers with internal thread

Order No.	Main material	X	A	A1	T	D	D1	D2	H	H1	H3	H4	No. of teeth
K0120.108	steel	M8	83	107	17	19	28	20	40,5	12	65	68,5	24
K0120.110	steel	M10	83	107	17	19	28	20	40,5	12	65	68,5	24
K0120.112	steel	M12	83	107	17	19	28	20	40,5	12	65	68,5	24
K0120.212	steel	M12	108	138	23	23	35	25	51,5	12	79,5	84	26
K0120.216	steel	M16	108	138	23	23	35	25	51,5	12	79,5	84	26
K0120.316	steel	M16	132	168	27	30	43	30	60	12	93	97,5	36
K0120.320	steel	M20	132	168	27	30	43	30	60	12	93	97,5	36

Clamping levers steel

external thread



Material:

Handle steel 1.0401.
All other steel parts grade 5.8.

Version:

Handle painted silver-grey hammer-tone.
Steel parts black oxidised.

Sample order:

K0120.110X30 (include length L)

Note:

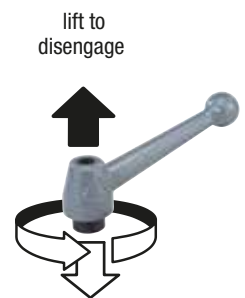
Where $L \geq 60$ mm the thread length is always 60 mm.

On request:

Other threads, screw lengths and special versions.
Dimension "H1" available in other lengths at extra charge.

Drawing reference:

1) flat point DIN EN ISO 4753



KIPP Clamping levers steel with external thread

Order No.	Main material	X	A	A1	D	D1	D2	H	H1	H3	H4	No. of teeth	L
K0120.110X	steel	M10	83	107	19	28	20	40,5	12	65	68,5	24	20/25/30/35/40/45/50/55/60/70/80/90
K0120.112X	steel	M12	83	107	19	28	20	40,5	12	65	68,5	24	20/25/30/35/40/45/50/55/60/70/80/90
K0120.212X	steel	M12	108	138	23	35	25	51,5	12	79,5	84	26	25/30/35/40/45/50/55/60/70/80/90
K0120.216X	steel	M16	108	138	23	35	25	51,5	12	79,5	84	26	25/30/35/40/45/50/55/60/70/80/90
K0120.316X	steel	M16	132	168	30	43	30	60	12	93	97,5	36	30/40/50/60/70/80/90
K0120.320X	steel	M20	132	168	30	43	30	60	12	93	97,5	36	30/40/50/60/70/80/90