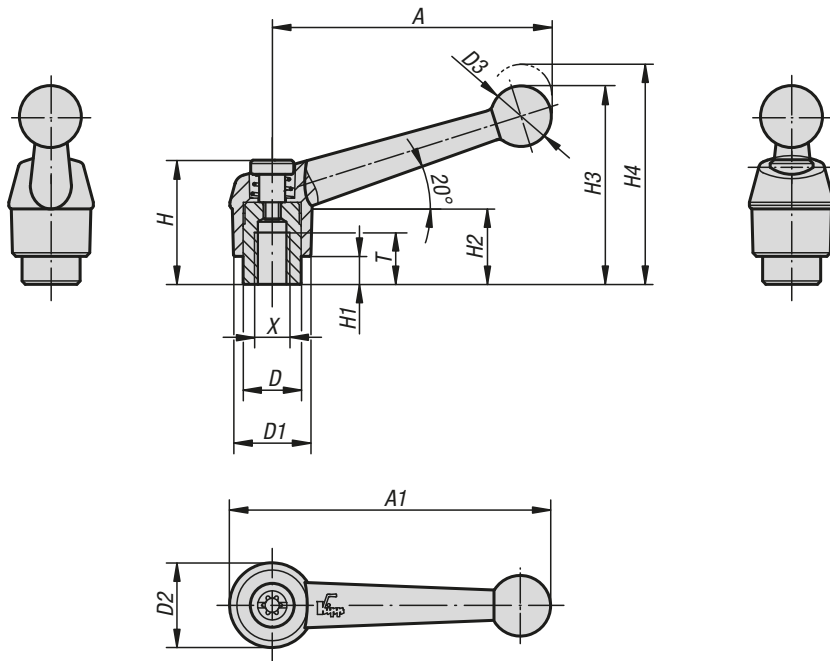


## Clamping levers

internal thread, steel parts stainless steel



**Material:**

Handle die-cast zinc DIN EN 12844.  
Steel parts stainless steel 1.4305.

**Version:**

Handle powder-coated.  
Stainless steel parts bright.

**Sample order:**

K0117.2061

**Note:**

Standard colours are:  
black satin finish, silver metallic.

**On request:**

Other threads, colours and special versions.  
Dimension "H1" available in other lengths at extra charge.

lift to disengage



**KIPP Clamping levers with internal thread, steel parts stainless steel**

Order No. black	Order No. silver metallic	X	A	A1	T	D	D1	D2	D3	H	H1	H2	H3	H4	No. of teeth
K0117.1041	K0117.1043	M4	39	46	9	10	13	14	10,5	24,5	4	15	32,5	35,5	16
K0117.1051	K0117.1053	M5	39	46	9	10	13	14	10,5	24,5	4	15	32,5	35,5	16
K0117.1061	K0117.1063	M6	39	46	9	10	13	14	10,5	24,5	4	15	32,5	35,5	16
K0117.2061	K0117.2063	M6	64	73	12	13,5	18	18,5	15,5	28,5	6,5	16,5	45,5	49,5	20
K0117.2081	K0117.2083	M8	64	73	12	13,5	18	18,5	15,5	28,5	6,5	16,5	45,5	49,5	20
K0117.3081	K0117.3083	M8	79	90	14	16	21	22	17	37	10	23	57,5	61,5	22
K0117.3101	K0117.3103	M10	79	90	14	16	21	22	17	37	10	23	57,5	61,5	22
K0117.4101	K0117.4103	M10	95	108	17	19	25	26	19	42,5	10	26	67	72	24
K0117.4121	K0117.4123	M12	95	108	17	19	25	26	19	42,5	10	26	67	72	24
K0117.5121	K0117.5123	M12	110	126	23	23	30	31	22	49	12	32	79	84	26
K0117.5161	K0117.5163	M16	110	126	23	23	30	31	22	49	12	32	79	84	26

## Clamping levers

external thread, steel parts stainless steel



**Material:**

Handle die-cast zinc DIN EN 12844.  
Steel parts stainless steel 1.4305.

**Version:**

Handle powder-coated.  
Stainless steel bright.

**Sample order:**

K0117.1051X20 (include length L)

**Note:**

Standard colours are:  
black satin finish, silver metallic.

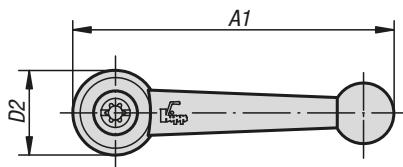
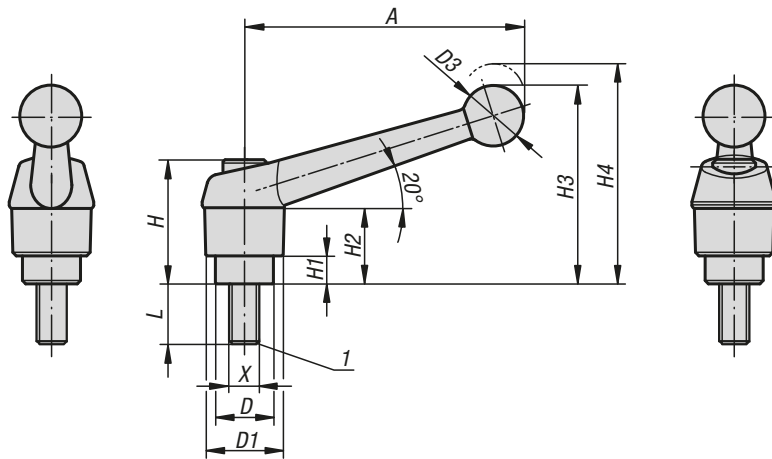
Where L ≥ 60 mm the thread length is always 60 mm.

**On request:**

Other external threads, screw lengths, colours and special versions.  
Dimension "H1" available in other lengths at extra charge.

**Drawing reference:**

1) flat point DIN EN ISO 4753



### KIPP Specifications

Size	X	A	A1	D	D1	D2	D3	H	H1	H2	H3	H4	No. of teeth
1	M5/M6	39	46	10	13	14	10,5	24,5	4	15	32,5	35,5	16
2	M6/M8/M10	64	73	13,5	18	18,5	15,5	28,5	6,5	16,5	45,5	49,5	20
3	M8/M10	79	90	16	21	22	17	37	10	23	57,5	61,5	22
4	M12	95	108	19	25	26	19	42,5	10	26	67	72	24
5	M16	110	126	23	30	31	22	49	12	32	79	84	26

### KIPP Clamping levers with external thread, steel parts stainless steel

Order No. black	Order No. silver metallic	Size	X	L
K0117.1051X	K0117.1053X	1	M5	10/15/20/25
K0117.1061X	K0117.1063X	1	M6	10/15/20/25/30/40/50
K0117.2061X	K0117.2063X	2	M6	15/20/25/30/40/50/60
K0117.2081X	K0117.2083X	2	M8	15/20/25/30/40/50/60
K0117.2101X	K0117.2103X	2	M10	20/25/30/40/50/60
K0117.3081X	K0117.3083X	3	M8	20/25/30/40/50/60
K0117.3101X	K0117.3103X	3	M10	20/25/30/40/50/60
K0117.4121X	K0117.4123X	4	M12	25/30/40/50/60
K0117.5161X	K0117.5163X	5	M16	30/40/50/60