

Clamping levers

internal thread



Material:

Handle die-cast zinc DIN EN 12844.
Steel parts grade 5.8.

Version:

Handle powder-coated.
Steel parts black oxidised.

Sample order:

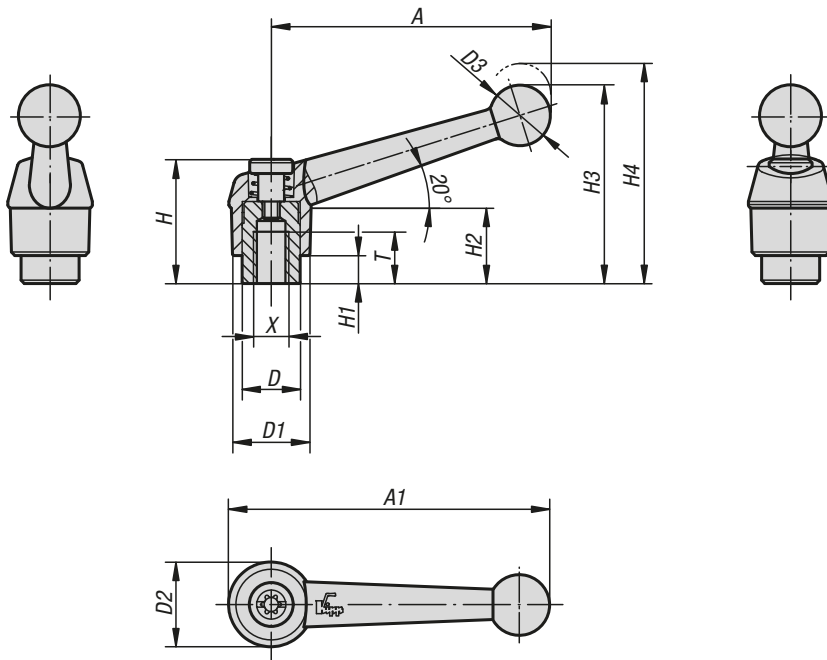
K0116.4103

Note:

Standard colours are:
black satin finish, silver metallic.

On request:

Other threads, colours and special versions.
Dimension "H1" available in other lengths at extra charge.

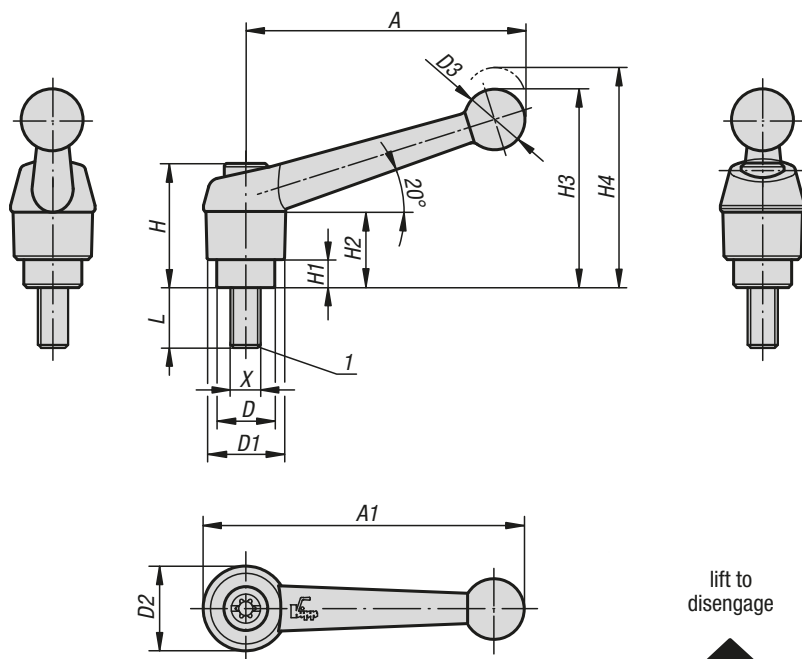


KIPP Clamping levers with internal thread

Order No. black	Order No. silver metallic	X	A	A1	T	D	D1	D2	D3	H	H1	H2	H3	H4	No. of teeth
K0116.1041	K0116.1043	M4	39	46	9	10	13	14	10,5	24,5	4	15	32,5	35,5	16
K0116.1051	K0116.1053	M5	39	46	9	10	13	14	10,5	24,5	4	15	32,5	35,5	16
K0116.1061	K0116.1063	M6	39	46	9	10	13	14	10,5	24,5	4	15	32,5	35,5	16
K0116.2061	K0116.2063	M6	64	73	12	13,5	18	18,5	15,5	28,5	6,5	16,5	45,5	49,5	20
K0116.2081	K0116.2083	M8	64	73	12	13,5	18	18,5	15,5	28,5	6,5	16,5	45,5	49,5	20
K0116.3081	K0116.3083	M8	79	90	14	16	21	22	17	37	10	23	57,5	61,5	22
K0116.3101	K0116.3103	M10	79	90	14	16	21	22	17	37	10	23	57,5	61,5	22
K0116.4101	K0116.4103	M10	95	108	17	19	25	26	19	42,5	10	26	67	72	24
K0116.4121	K0116.4123	M12	95	108	17	19	25	26	19	42,5	10	26	67	72	24
K0116.5121	K0116.5123	M12	110	126	23	23	30	31	22	49	12	32	79	84	26
K0116.5161	K0116.5163	M16	110	126	23	23	30	31	22	49	12	32	79	84	26

Clamping levers

external thread



Material:

Handle die-cast zinc DIN EN 12844.
Steel parts grade 5.8.

Version:

Handle powder-coated.
Steel black oxidised.

Sample order:

K0116.1051X20 (include length L)

Note:

Standard colours are:
black satin finish, silver metallic.

Where $L \geq 60$ mm the thread length is always 60 mm.

On request:

Other threads, screw lengths, colours and special versions.
Dimension "H1" available in other lengths at extra charge.

Drawing reference:

1) flat point DIN EN ISO 4753

KIPP Specifications

Size	X	A	A1	D	D1	D2	D3	H	H1	H2	H3	H4	No. of teeth
1	M5/M6	39	46	10	13	14	10,5	24,5	4	15	32,5	35,5	16
2	M6/M8/M10	64	73	13,5	18	18,5	15,5	28,5	6,5	16,5	45,5	49,5	20
3	M8/M10	79	90	16	21	22	17	37	10	23	57,5	61,5	22
4	M10/M12	95	108	19	25	26	19	42,5	10	26	67	72	24
5	M12/M16	110	126	23	30	31	22	49	12	32	79	84	26

KIPP Clamping levers with external thread

Order No. black	Order No. silver metallic	Size	X	L
K0116.1051X	K0116.1053X	1	M5	10/15/20/25/30/35/40/45/50
K0116.1061X	K0116.1063X	1	M6	10/15/20/25/30/35/40/45/50
K0116.2061X	K0116.2063X	2	M6	15/20/25/30/35/40/45/50/55/60
K0116.2081X	K0116.2083X	2	M8	15/20/25/30/35/40/45/50/55/60
K0116.2101X	K0116.2103X	2	M10	15/20/25/30/35/40/45/50/55/60
K0116.3081X	K0116.3083X	3	M8	15/20/25/30/35/40/45/50/55/60
K0116.3101X	K0116.3103X	3	M10	15/20/25/30/35/40/45/50/55/60
K0116.4101X	K0116.4103X	4	M10	20/25/30/35/40/45/50/55/60/70/80/90
K0116.4121X	K0116.4123X	4	M12	20/25/30/35/40/45/50/55/60/70/80/90
K0116.5121X	K0116.5123X	5	M12	25/30/35/40/45/50/55/60/70/80/90
K0116.5161X	K0116.5163X	5	M16	25/30/35/40/45/50/55/60/70/80/90