

Levelling sets

spherical washer with locknut



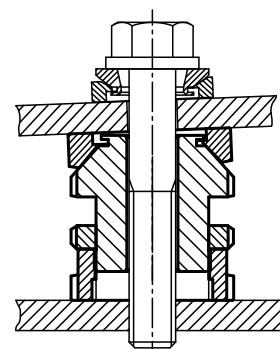
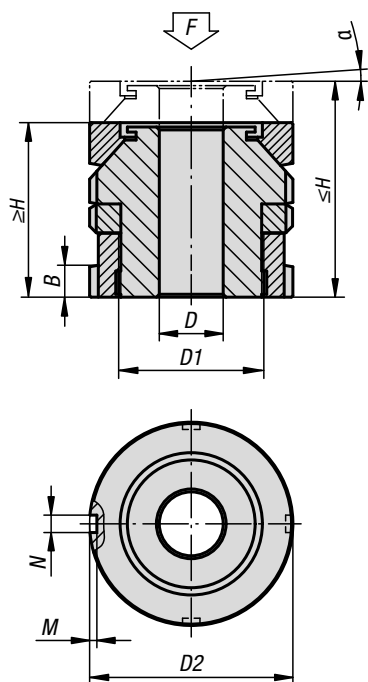
Material:
 Steel 1.7225.
 Stainless steel 1.4305.

Version:
 Standard version trivalent blue passivated.
 Stainless steel version bright.

Sample order:
 K0115.0406

Note:
 The spherical washer levelling set is used to mount and align motors, aggregates, drive units and production lines. The spherical washer gives exact alignment of sloping faces with an inclination of up to 4°. The locknut secures a prescribed adjustment.

Accessories:
 Spherical levelling washers K0691



Levelling sets

spherical washer with locknut



KIPP Levelling sets spherical washer with locknut

Order No.	Main material	D	for screw	D1	D2	H min.	H max.	B	N	M	α	F kN
K0115.0406	high carbon steel	6,6	M6	M15x1	25	27	31	5	4	2	4°	40
K0115.0506	high carbon steel	6,6	M6	M20x1	32	32	37	6	4	2	4°	65
K0115.0508	high carbon steel	9	M8	M20x1	32	32	37	6	4	2	4°	65
K0115.0510	high carbon steel	11	M10	M20x1	32	32	37	6	4	2	4°	65
K0115.0710	high carbon steel	11	M10	M30x1,5	45	41	48	7	5	2	4°	120
K0115.0712	high carbon steel	13,5	M12	M30x1,5	45	41	48	7	5	2	4°	120
K0115.0716	high carbon steel	17,5	M16	M30x1,5	45	41	48	7	5	2	4°	120
K0115.0916	high carbon steel	17,5	M16	M40x1,5	58	53	62	9	6	2,5	4°	210
K0115.0920	high carbon steel	22	M20	M40x1,5	58	53	62	9	6	2,5	4°	210
K0115.0924	high carbon steel	26	M24	M40x1,5	58	53	62	9	6	2,5	4°	210
K0115.1020	high carbon steel	22	M20	M50x1,5	70	61	71	11	6	2,5	4°	330
K0115.1024	high carbon steel	26	M24	M50x1,5	70	61	71	11	6	2,5	4°	330
K0115.1030	high carbon steel	33	M30	M50x1,5	70	61	71	11	6	2,5	4°	330
K0115.1224	high carbon steel	26	M24	M60x2	80	67	79	11	7	3	4°	495
K0115.1230	high carbon steel	33	M30	M60x2	80	67	79	11	7	3	4°	495
K0115.04061	stainless steel	6,6	M6	M15x1	25	27	31	5	4	2	4°	27,1
K0115.05061	stainless steel	6,6	M6	M20x1	32	32	37	6	4	2	4°	43,4
K0115.05081	stainless steel	9	M8	M20x1	32	32	37	6	4	2	4°	43,4
K0115.05101	stainless steel	11	M10	M20x1	32	32	37	6	4	2	4°	43,4
K0115.07101	stainless steel	11	M10	M30x1,5	45	41	48	7	5	2	4°	84
K0115.07121	stainless steel	13,5	M12	M30x1,5	45	41	48	7	5	2	4°	84
K0115.07161	stainless steel	17,5	M16	M30x1,5	45	41	48	7	5	2	4°	84
K0115.09161	stainless steel	17,5	M16	M40x1,5	58	53	62	9	6	2,5	4°	148
K0115.09201	stainless steel	22	M20	M40x1,5	58	53	62	9	6	2,5	4°	148
K0115.09241	stainless steel	26	M24	M40x1,5	58	53	62	9	6	2,5	4°	148
K0115.10201	stainless steel	22	M20	M50x1,5	70	61	71	11	6	2,5	4°	225
K0115.10241	stainless steel	26	M24	M50x1,5	70	61	71	11	6	2,5	4°	225
K0115.10301	stainless steel	33	M30	M50x1,5	70	61	71	11	6	2,5	4°	225
K0115.12241	stainless steel	26	M24	M60x2	80	67	79	11	7	3	4°	323
K0115.12301	stainless steel	33	M30	M60x2	80	67	79	11	7	3	4°	323