

# Tension levers flat

internal thread

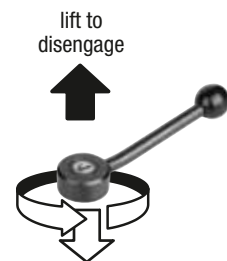
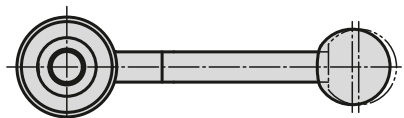
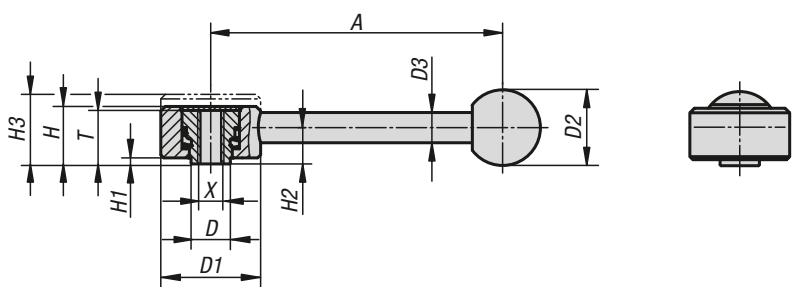
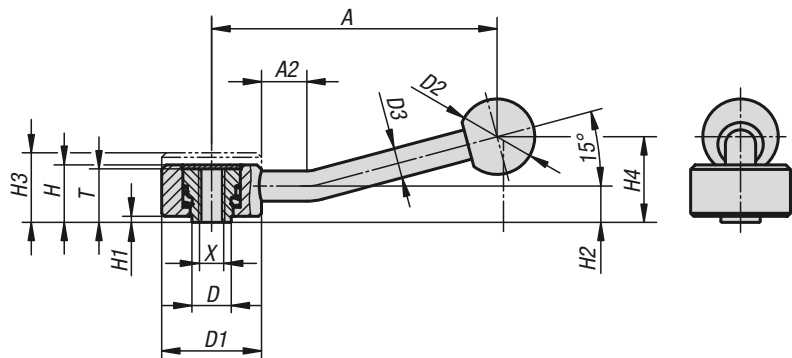


**Material:**  
Steel parts grade 5.8.  
Ball knob black plastic.

**Version:**  
Black oxidised.

**Sample order:**  
K0114.1061

**On request:**  
Other threads and special versions.  
Dimensions "H1" and "A" available in other lengths  
at extra charge.



## KIPP Tension levers, flat, with internal thread

Order No. 0°	Order No. 15°	X	T	A=Handle length	A2	D	D1	D2	D3	H	H1	H2	H3	H4	No. of teeth
K0114.1061	K0114.1062	M6	18	102/100	-/15	13,5	33	25	10	19	2	12	23	-/29	26
K0114.1081	K0114.1082	M8	18	102/100	-/15	13,5	33	25	10	19	2	12	23	-/29	26
K0114.2101	K0114.2102	M10	21	131/127	-/15	19	41	30	12	22	2	13,5	26	-/38	30
K0114.2121	K0114.2122	M12	21	131/127	-/15	19	41	30	12	22	2	13,5	26	-/38	30
K0114.3121	K0114.3122	M12	27	148/145	-/15	23	45	37	14	28	2	17	33	-/48	36
K0114.3161	K0114.3162	M16	27	148/145	-/15	23	45	37	14	28	2	17	33	-/48	36

## Tension levers flat

external thread



**Material:**

Steel parts grade 5.8.  
Ball knob black plastic.

**Version:**

Black oxidised.

**Sample order:**

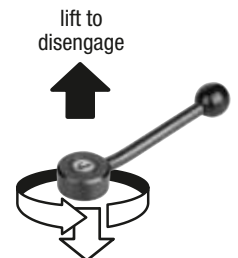
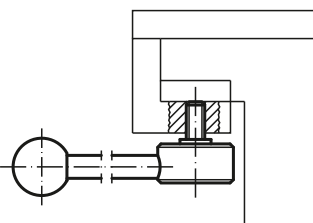
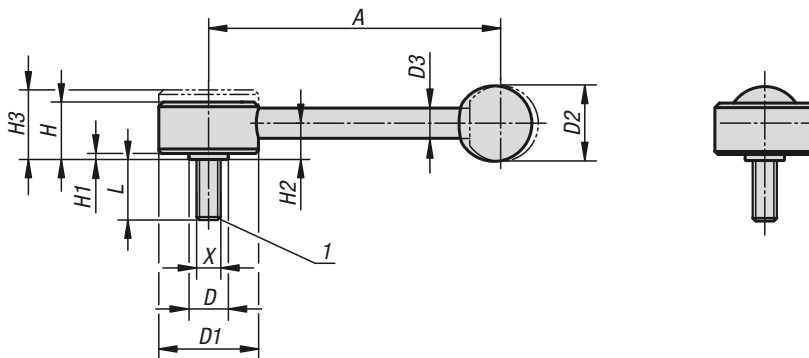
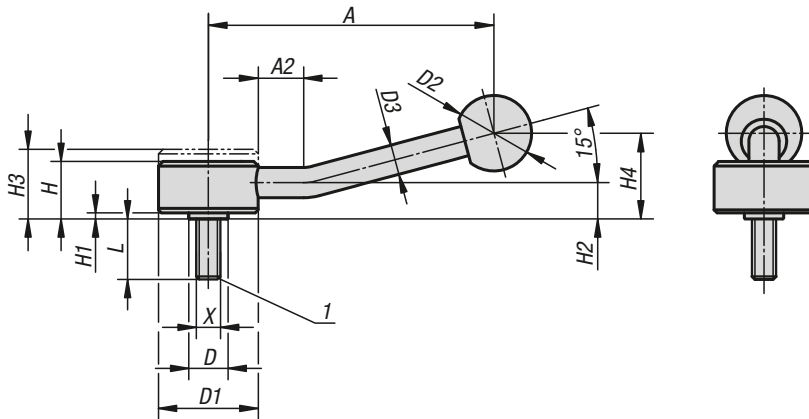
K0114.1081X30 (include length L)

**On request:**

Other threads, screw lengths and special versions.  
Dimensions "H1" and "A" available in other lengths at extra charge.

**Drawing reference:**

1) flat point DIN EN ISO 4753



### KIPP Tension levers, flat, external thread

Order No. 0°	Order No. 15°	X	A=Handle length	A2	D	D1	D2	D3	H	H1	H2	H3	H4	L	No. of teeth
K0114.1081X	K0114.1082X	M8	102/100	-15	13,5	33	25	10	19	2	12	23	-29	15/20/25/30/40/50/60	20
K0114.1101X	K0114.1102X	M10	102/100	-15	13,5	33	25	10	19	2	12	23	-29	15/20/25/30/40/50/60	20
K0114.2101X	K0114.2102X	M10	131/127	-15	19	41	30	12	22	2	13,5	26	-38	20/25/30/40/50/60	24
K0114.2121X	K0114.2122X	M12	131/127	-15	19	41	30	12	22	2	13,5	26	-38	20/25/30/40/50/60	24
K0114.3121X	K0114.3122X	M12	148/145	-15	23	45	37	14	28	2	17	33	-48	20/25/30/40/50/60	26
K0114.3161X	K0114.3162X	M16	148/145	-15	23	45	37	14	28	2	17	33	-48	20/25/30/40/50/60	26