

Tension levers

internal thread, stainless steel



Material:

Steel parts stainless steel 1.4305.
Ball knob black plastic.

Version:

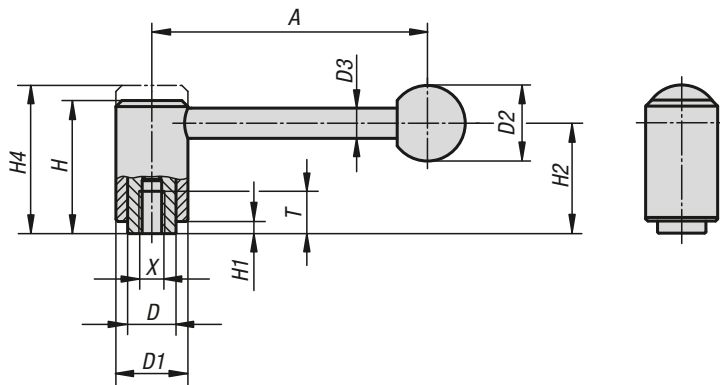
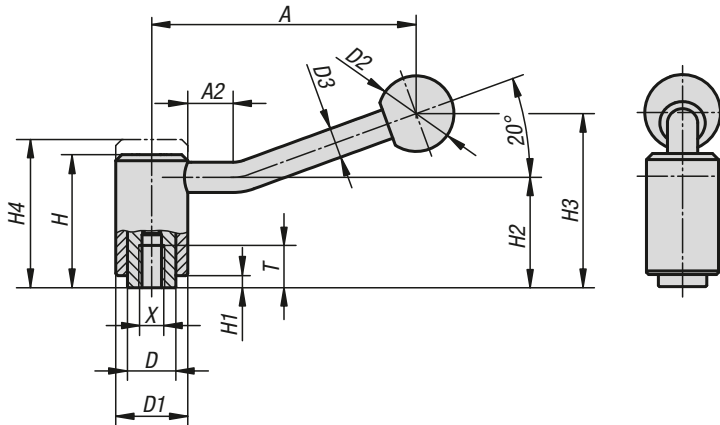
Stainless steel parts bright.
Ball knob polished.

Sample order:

K0109.1082

On request:

Other threads and special versions.
Dimensions "H1" and "A" available in other lengths at extra charge.

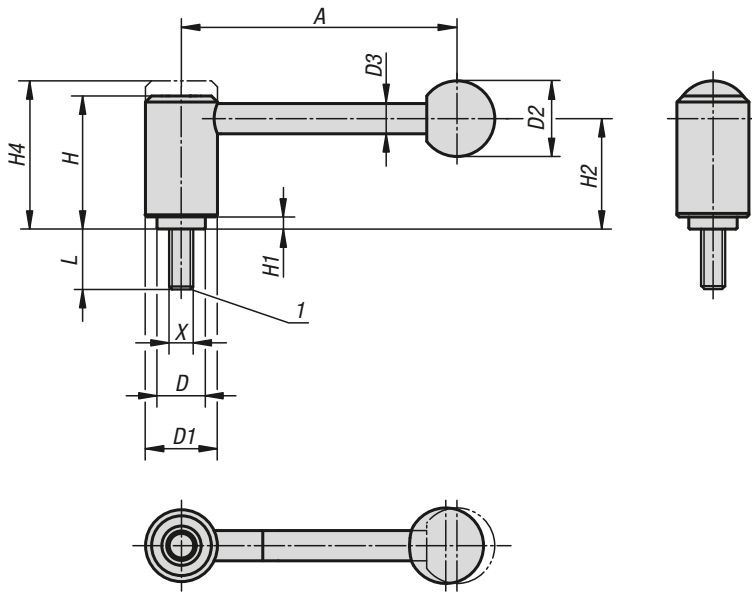
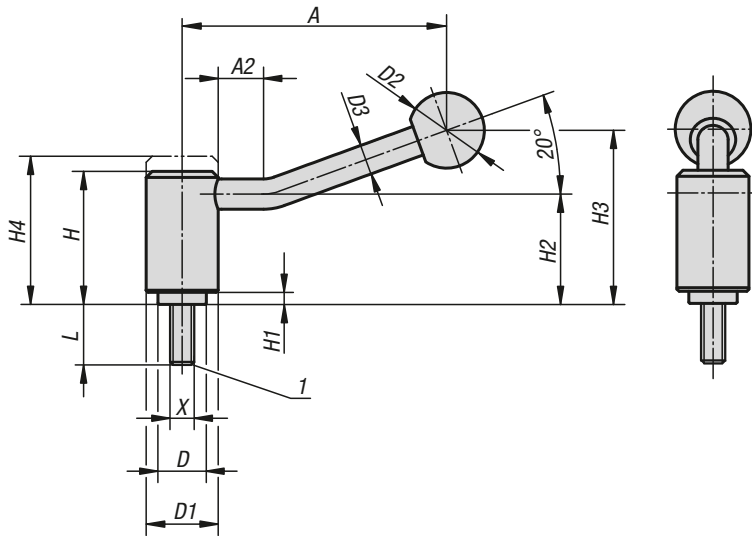


KIPP Tension levers, internal thread, stainless steel

Order No. 0°	Order No. 20°	X	T	A=Handle length	A2	D	D1	D2	D3	H	H1	H2	H3	H4	No. of teeth
K0109.1082	K0109.1081	M8	14	92/88	-15	16	24	25	10	44,5	4,5	37	-/58,5	49,5	22
K0109.1102	K0109.1101	M10	14	92/88	-15	16	24	25	10	44,5	4,5	37	-/58,5	49,5	22
K0109.2102	K0109.2101	M10	17	111/106	-15	19	28	32	12	51,5	5,5	42	-/68,5	57,5	24
K0109.2122	K0109.2121	M12	17	111/106	-15	19	28	32	12	51,5	5,5	42	-/68,5	57,5	24
K0109.3122	K0109.3121	M12	23	134,5/128,5	-15	23	33	32	13	58	6	47	-/81	65	26
K0109.3162	K0109.3161	M16	23	134,5/128,5	-15	23	33	32	13	58	6	47	-/81	65	26
K0109.4162	K0109.4161	M16	27	134/128,5	-15	30	41	32	13	68,5	7,5	56,5	-/89,5	76,5	36
K0109.4202	K0109.4201	M20	27	134/128,5	-15	30	41	32	13	68,5	7,5	56,5	-/89,5	76,5	36

Tension levers

external thread, stainless steel



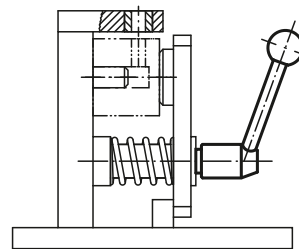
Material:
Steel parts stainless steel 1.4305.
Ball knob black plastic.

Version:
Stainless steel parts bright.
Ball knob polished.

Sample order:
K0109.1082X30 (include length L)

On request:
Other threads, screw lengths and special versions.
Dimensions "H1" and "A" available in other lengths at extra charge.

Drawing reference:
1) flat point DIN EN ISO 4753



KIPP Tension levers, external thread, stainless steel

Order No. 0°	Order No. 20°	X	A=Handle length	A2	D	D1	D2	D3	H	H1	H2	H3	H4	L	No. of teeth
K0109.1082X	K0109.1081X	M8	92/88	-/15	16	24	25	10	44,5	4,5	37	-/58,5	49,5	15/20/25/30/40/50/60	22
K0109.1102X	K0109.1101X	M10	92/88	-/15	16	24	25	10	44,5	4,5	37	-/58,5	49,5	15/20/25/30/40/50/60	22
K0109.1122X	K0109.1121X	M12	92/88	-/15	16	24	25	10	44,5	4,5	37	-/58,5	49,5	15/20/25/30/40/50/60	22
K0109.2122X	K0109.2121X	M12	111/106	-/15	19	28	32	12	51,5	5,5	42	-/68,5	57,5	20/25/30/40/50/60	24
K0109.3122X	K0109.3121X	M12	134,5/128,5	-/15	23	33	32	13	58	6	47	-/81	65	20/25/30/40/50/60/70/80/90	26
K0109.3162X	K0109.3161X	M16	134,5/128,5	-/15	23	33	32	13	58	6	47	-/81	65	20/25/30/40/50/60/70/80/90	26
K0109.4162X	K0109.4161X	M16	134/128,5	-/15	30	41	32	13	68,5	7,5	56,5	-/89,5	76,5	30/40/50/60/70/80/90	36
K0109.4202X	K0109.4201X	M20	134/128,5	-/15	30	41	32	13	68,5	7,5	56,5	-/89,5	76,5	30/40/50/60/70/80/90	36