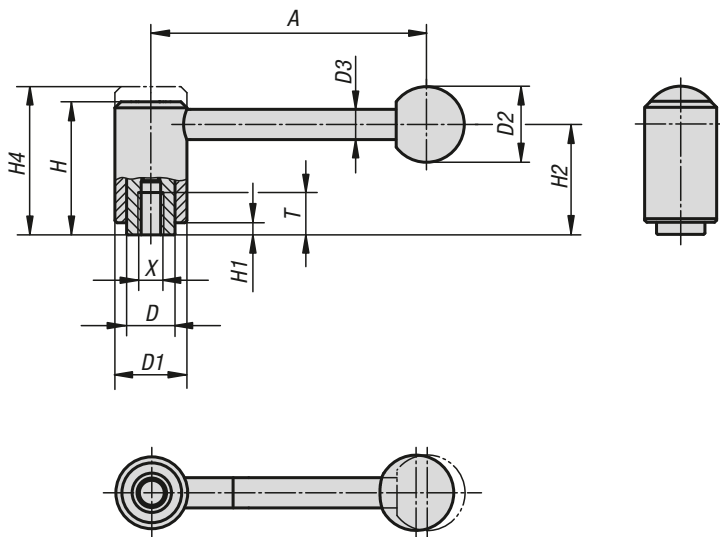
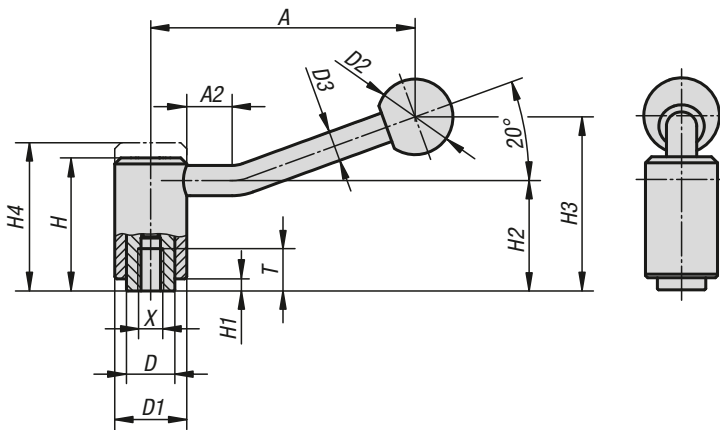


Tension levers

internal thread



Material:

Steel parts grade 5.8.
Ball knob black plastic.

Version:

Powder-coated with fine texture, black.

Sample order:

K0108.1082

On request:

Other threads and special versions.
Dimensions "H1" and "A" available in other lengths at extra charge.

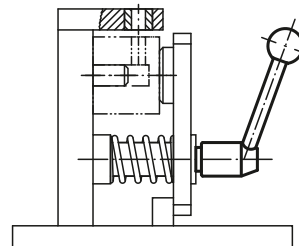
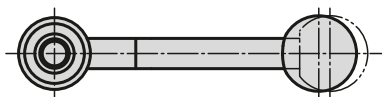
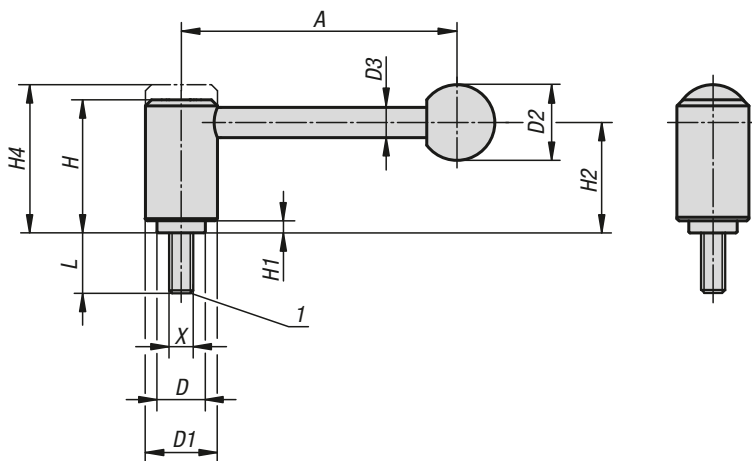
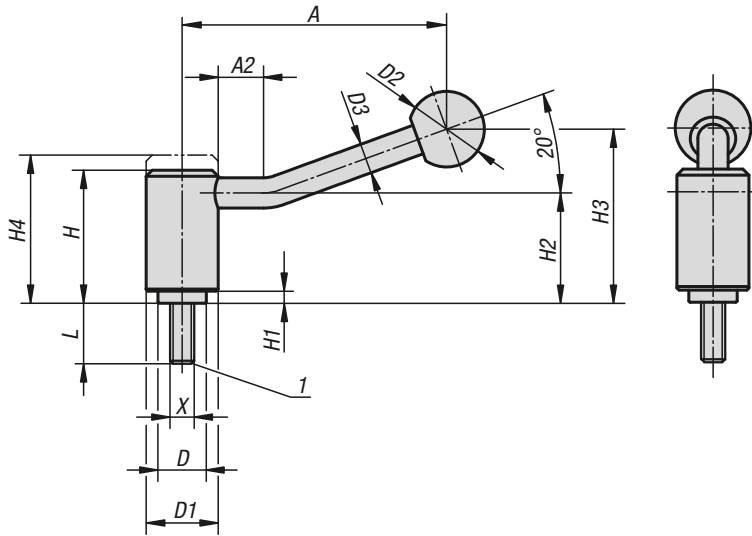


KIPP Tension levers with internal thread

Order No. 0°	Order No. 20°	X	T	A=Handle length	A2	D	D1	D2	D3	H	H1	H2	H3	H4	No. of teeth
K0108.1082	K0108.1081	M8	14	92/88	-/15	16	24	25	10	44,5	4,5	37	-/58,5	49,5	22
K0108.1102	K0108.1101	M10	14	92/88	-/15	16	24	25	10	44,5	4,5	37	-/58,5	49,5	22
K0108.2102	K0108.2101	M10	17	111/106	-/15	19	28	32	12	51,5	5,5	42	-/68,5	57,5	24
K0108.2122	K0108.2121	M12	17	111/106	-/15	19	28	32	12	51,5	5,5	42	-/68,5	57,5	24
K0108.3122	K0108.3121	M12	23	134,5/128,5	-/15	23	33	32	13	58	6	47	-/81	65	26
K0108.3162	K0108.3161	M16	23	134,5/128,5	-/15	23	33	32	13	58	6	47	-/81	65	26
K0108.4162	K0108.4161	M16	27	134/128,5	-/15	30	41	32	13	68,5	7,5	56,5	-/89,5	76,5	36
K0108.4202	K0108.4201	M20	27	134/128,5	-/15	30	41	32	13	68,5	7,5	56,5	-/89,5	76,5	36
K0108.4242	K0108.4241	M24	27	134/128,5	-/15	30	41	32	13	68,5	7,5	56,5	-/89,5	76,5	36

Tension levers

external thread



Material:
Steel parts grade 5.8.
Ball knob black plastic.

Version:
Powder-coated with fine texture, black.

Sample order:
K0108.1082X30 (include length L)

On request:
Other threads, screw lengths and special versions.
Dimensions "H1" and "A" available in other lengths at extra charge.

Drawing reference:
1) flat point DIN EN ISO 4753

KIPP Tension levers with external thread

Order No. 0°	Order No. 20°	X	A=Handle length	A2	D	D1	D2	D3	H	H1	H2	H3	H4	L	No. of teeth
K0108.1082X	K0108.1081X	M8	92/88	-15	16	24	25	10	44,5	4,5	37	-58,5	49,5	15/20/25/30/40/50/60	22
K0108.1102X	K0108.1101X	M10	92/88	-15	16	24	25	10	44,5	4,5	37	-58,5	49,5	15/20/25/30/40/50/60	22
K0108.1122X	K0108.1121X	M12	92/88	-15	16	24	25	10	44,5	4,5	37	-58,5	49,5	15/20/25/30/40/50/60	22
K0108.2122X	K0108.2121X	M12	111/106	-15	19	28	32	12	51,5	5,5	42	-68,5	57,5	20/25/30/40/50/60	24
K0108.3122X	K0108.3121X	M12	134,5/128,5	-15	23	33	32	13	58	6	47	-81	65	20/25/30/40/50/60/70/80/90	26
K0108.3162X	K0108.3161X	M16	134,5/128,5	-15	23	33	32	13	58	6	47	-81	65	20/25/30/40/50/60/70/80/90	26
K0108.4162X	K0108.4161X	M16	134/128,5	-15	30	41	32	13	68,5	7,5	56,5	-89,5	76,5	30/40/50/60/70/80/90	36
K0108.4202X	K0108.4201X	M20	134/128,5	-15	30	41	32	13	68,5	7,5	56,5	-89,5	76,5	30/40/50/60/70/80/90	36
K0108.4242X	K0108.4241X	M24	134/128,5	-15	30	41	32	13	68,5	7,5	56,5	-89,5	76,5	30/40/50/60/70/80/90	36